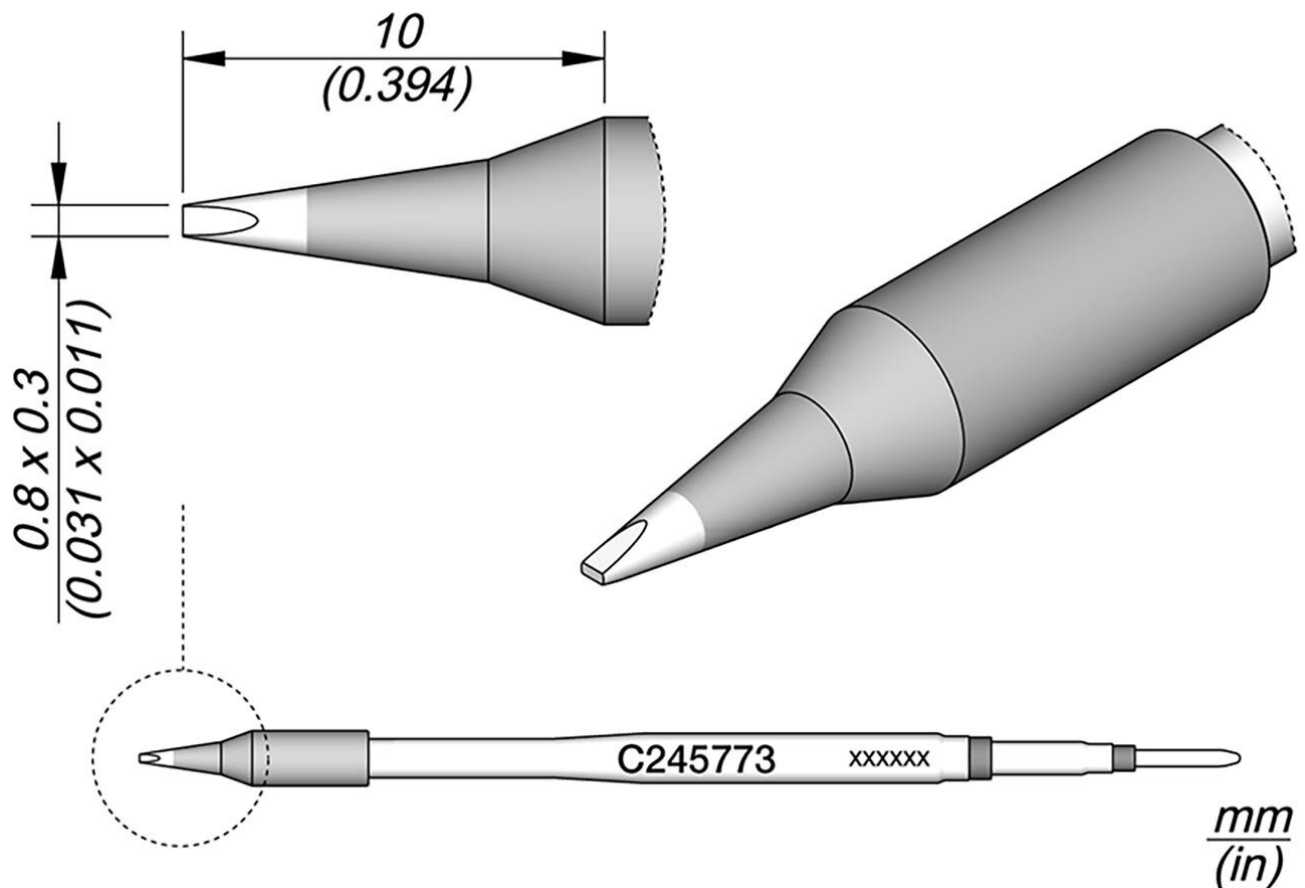


Punte per saldatura speciali serie C245, per saldatore T245



The JBC C245773 soldering tip 0.8x0.3mm is the ideal solution for precise and efficient soldering in professional electronics workshops. As part of the extensive C245 cartridge series, this chisel tip insert impresses with its high-thermal technology, which enables heat transfer to be optimized by up to 40%. Thanks to the robust long-life coating with a reinforced iron layer, this soldering tip insert is extremely durable and offers up to five times the service life of conventional products.

The C245773 has been specially developed for general soldering purposes and fits seamlessly into all T245 soldering iron handpieces, including standard, blue grip and nitrogen versions. The fine chisel tip with 0.8mm width and 0.3mm thickness is ideal for fine soldering work on SMD components and PCBs or for demanding through-holes. Professional users benefit from the instant heat-up function of the long-life JBC tip and the innovative sleep and hibernation features of the JBC station, which reduce energy costs and keep the temperature optimally stable. With a compact weight of only around 7g, the insert is extremely handy, enables fast temperature peaks and precise work for longer applications.

The C245773 Cartridge Chisel Tip stands for uncompromising soldering performance, high thermal efficiency, professional durability and versatile application options - ideal for electronics production, repair and maintenance.

- Punta termica elevata, 40% di trasferimento di calore più efficiente verso la punta
- con strato di ferro rinforzato
- per applicazioni speciali

Articolo n.	WL30376
Modello	C245-773
Produttore	JBC
Codice articolo del produttore	C245773
Dati del produttore GPSR	JBC Soldering SL Ramón y Cajal 3 ES-08750 Molins De Rei www.jbctools.com
Lunghezza con imballaggio	110 mm
Larghezza con imballaggio	12 mm
Altezza con imballaggio	12 mm
Unità di vendita	1 Pezzo
Unità di contenuto	1 Pezzo
Incl. batteria	No
Serie di prodotti	C245
Serie di suggerimenti	C245
Incl. riscaldamento integrato	Sì
Dimensioni della punta	0,8 x 0,3 mm
Lunghezza della punta	10 mm
Forma della punta	scalpello
Allineamento della punta	Dritta
Saldatore adatto	T245
Manipolo corrispondente	T245
Manipolo corrispondente	T245
Conforme alle ESD	No