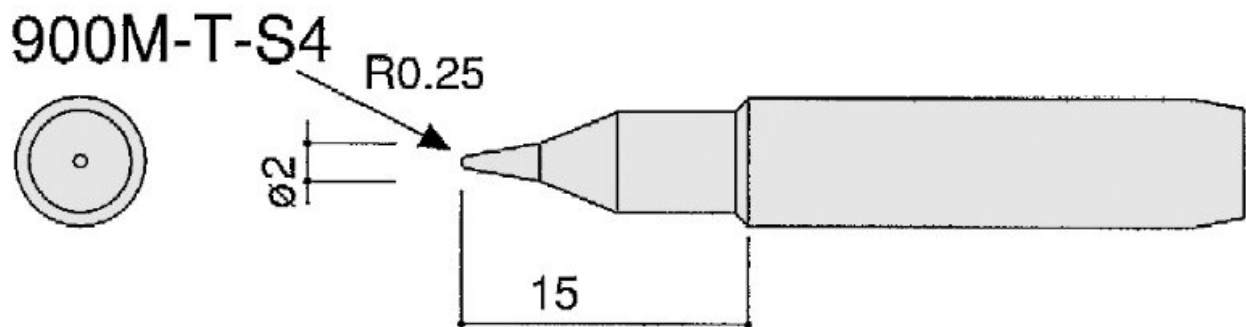


Puntale di saldatura serie 900M, a punta D: 2 mm



The Type M Format S4 soldering tip from HAKKO is a straight, pointed replacement tip for HAKKO soldering irons from the 907, 913 and 951 series as well as the FX models 8801, 8802 and 8803. It is specially designed for precise work on fine solder joints and is ideal for PCB assembly, electronics repairs and prototype construction.

With a diameter of 2 mm and a tip length of 15 mm, the pointed shape enables precise solder placement and controlled heat transfer. The straight alignment ensures even force transfer to the solder joint and makes it easier to work on densely populated components.

The tip is part of the 900M series and is compatible with numerous handpieces, including 907, 913FE, 951 as well as 928, 937, 701, 702B, 936, 933 and 934. The soldering tip is easy to replace and can be fitted quickly, ensuring that the soldering station is always ready for use.

Thanks to the high-quality workmanship, the soldering tip is durable and offers repeatable precision for professional soldering work. It ensures clean, reliable results, even for fine and complex soldering projects.

- Modulo B

Articolo n.	WL21784
Modello	900M-T-S4
Produttore	HAKKO
Codice articolo del produttore	900M-T-S4
Dati del produttore GSPR	TBK - Technisches Büro Kullik GmbH Industriestrasse 27 DE-56276 Großmaischeid www.kullik.com/

Lunghezza	125 mm
Larghezza	48 mm
Altezza	5 mm
Unità di vendita	1 Pezzo
Unità di contenuto	1 Pezzo
Serie di prodotti	900M
Serie di suggerimenti	900M
Lunghezza della punta	15 mm
Diametro della punta di saldatura	2 mm
Forma della punta	appuntita
Allineamento della punta	Dritta
Manipolo corrispondente	907, 913FE, 951
Manipolo corrispondente	928, 937, 907, 701, 702B, 936, 933, 934
Conforme alle ESD	No