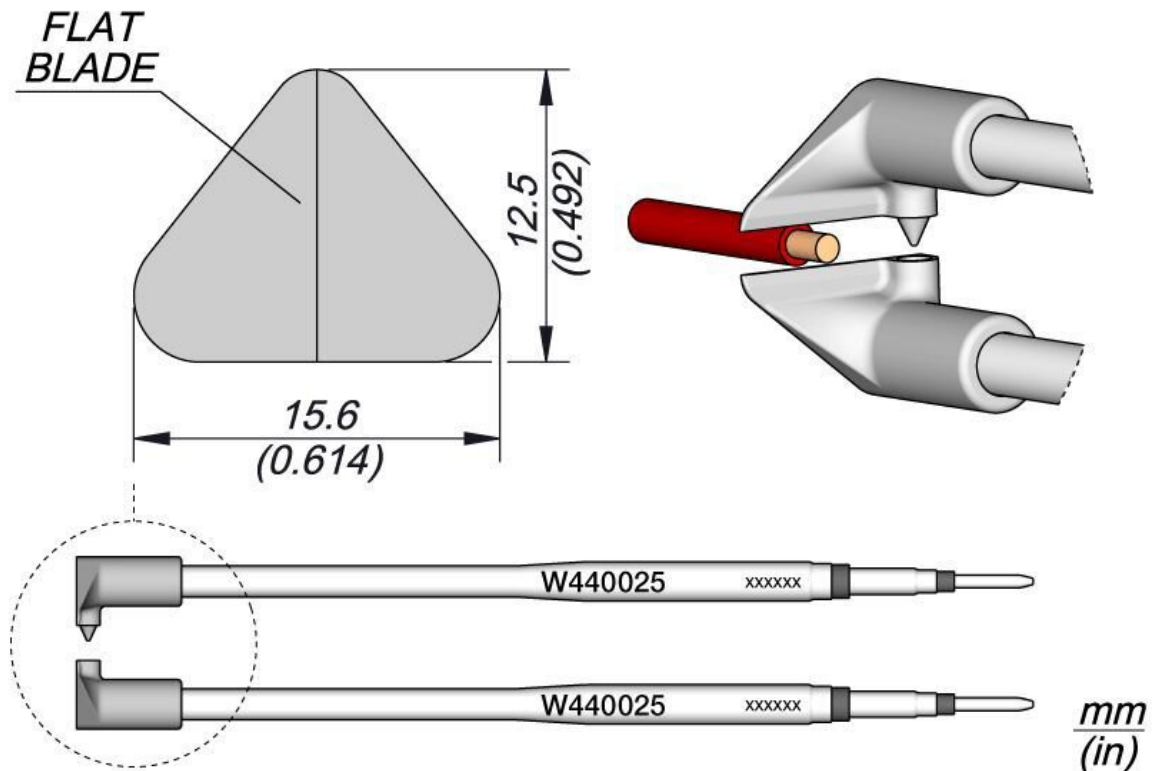


Soldering tip flat blade 12.5 mm, W440025



W440025 was specially developed for stripping high-temperature wire insulation made of thermostable materials such as Teflon, Kapton, silicone rubber, etc.

The self-centring design ensures perfect alignment of the tips so that the insulation can be removed without damaging the conductors.

This cartridge series is suitable for the WS440 high-temperature wire stripper, which has an adjustable stripping gauge for selecting the stripping length.

Both cartridges are included in this part number.

Item no.	WL92274
Manufacturer	JBC
Manufacturer article no.	W440025

GPSR manufacturer data	JBC Soldering SL Ramón y Cajal 3 ES-08750 Molins De Rei www.jbctools.com
Length	155 mm
Width	56 mm
Height	46 mm
Sales unit	1 piece
Content unit	1 piece
Product series	W440
Matching accessories	WS440
ESD compliant	no

