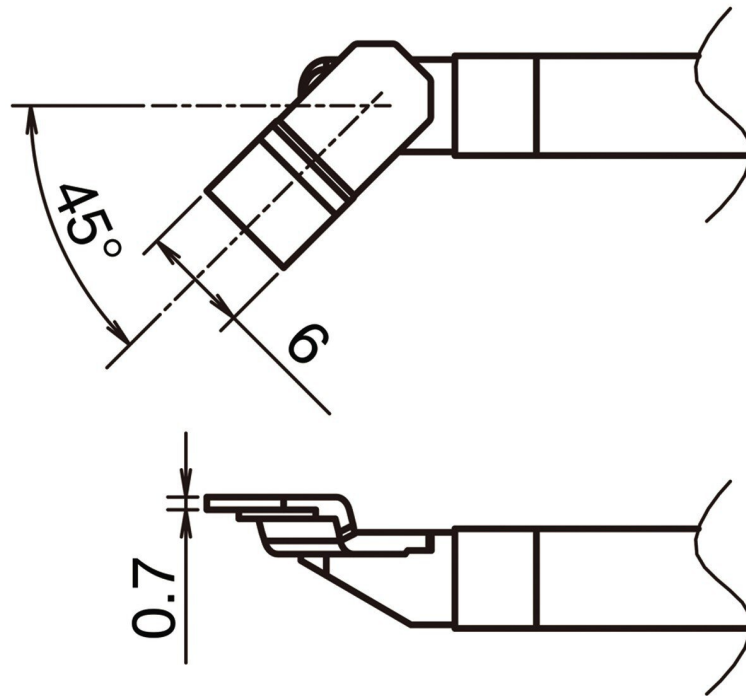


T51-LA6 Active soldering tip format SOP 6LA



HAKKO active soldering tip format SOP 6LA

Item no.	WL91964
Manufacturer	HAKKO
Manufacturer article no.	T51-LA6
GPSR manufacturer data	TBK - Technisches Büro Kullik GmbH Industriestrasse 27 DE-56276 Großmaiseid www.kullik.com/
Width	6 mm
Sales unit	1 piece
Content unit	1 piece

Incl. battery	no
Product series	T51
Angle (soldering tip)	45 °
Tip alignment	bent
Matching accessories	FX 9705
Matching handpiece	FX-9705
ESD compliant	no

