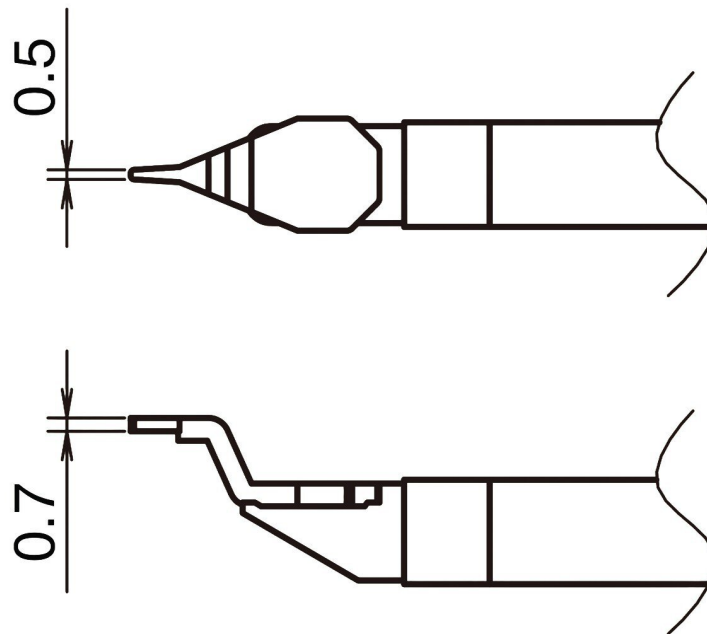


T51-I05 Active soldering tip



HAKKO active soldering tip Format Chip 0.5l

Item no.	WL91961
Manufacturer	HAKKO
Manufacturer article no.	T51-I05
GPSR manufacturer data	TBK - Technisches Büro Kullik GmbH Industriestrasse 27 DE-56276 Großmaiseid www.kullik.com/
Width	0.5 mm
Sales unit	1 piece
Content unit	1 piece

Incl. battery	no
Product series	T51
Tip shape	conical
Matching accessories	FX 9705
Matching handpiece	FX-9705
ESD compliant	no

