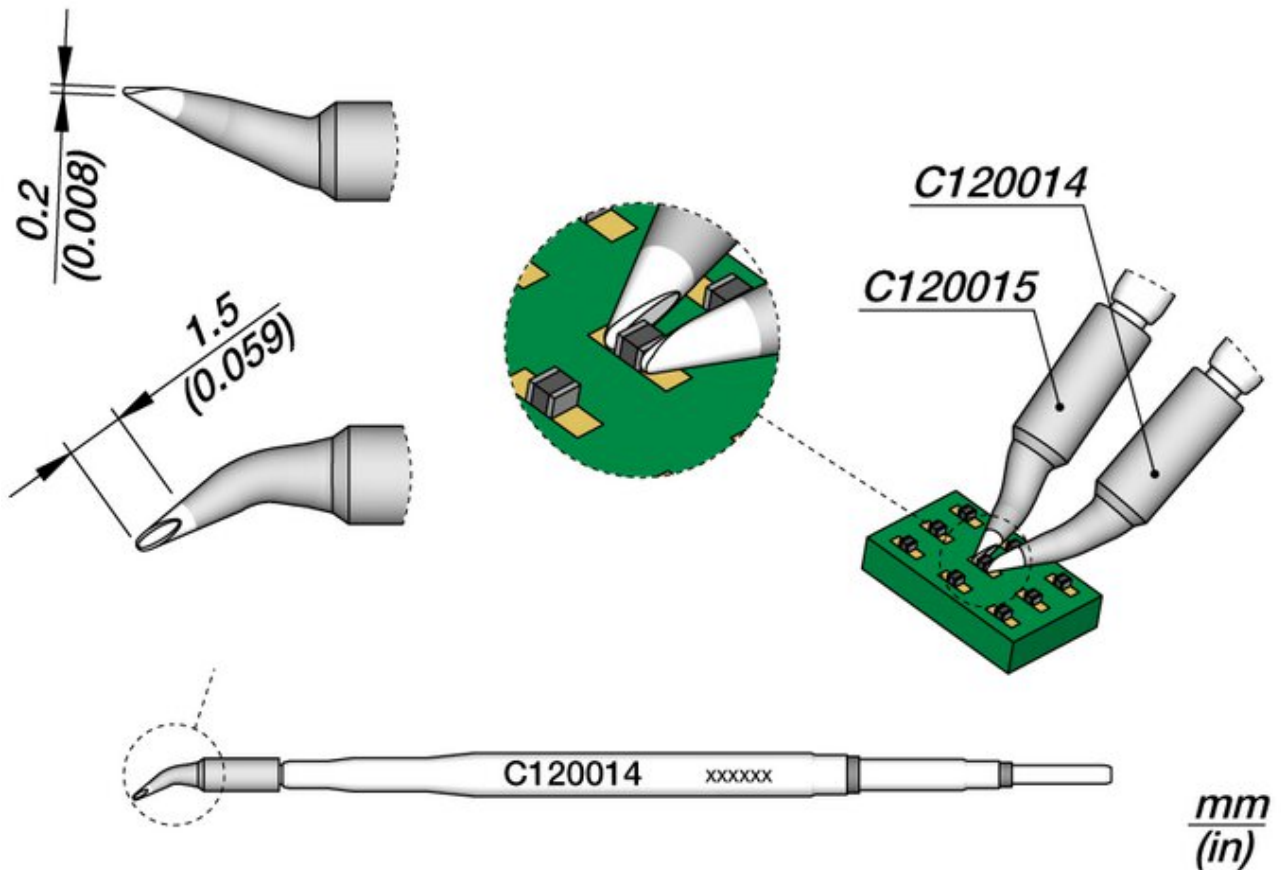


Desoldering tip for PA120-A



Item no.	WL91362
Manufacturer	JBC
Manufacturer article no.	C120014
GPSR manufacturer data	JBC Soldering SL Ramón y Cajal 3 ES-08750 Molins De Rei www.jbctools.com
Sales unit	1 piece
Content unit	1 piece
Incl. battery	no