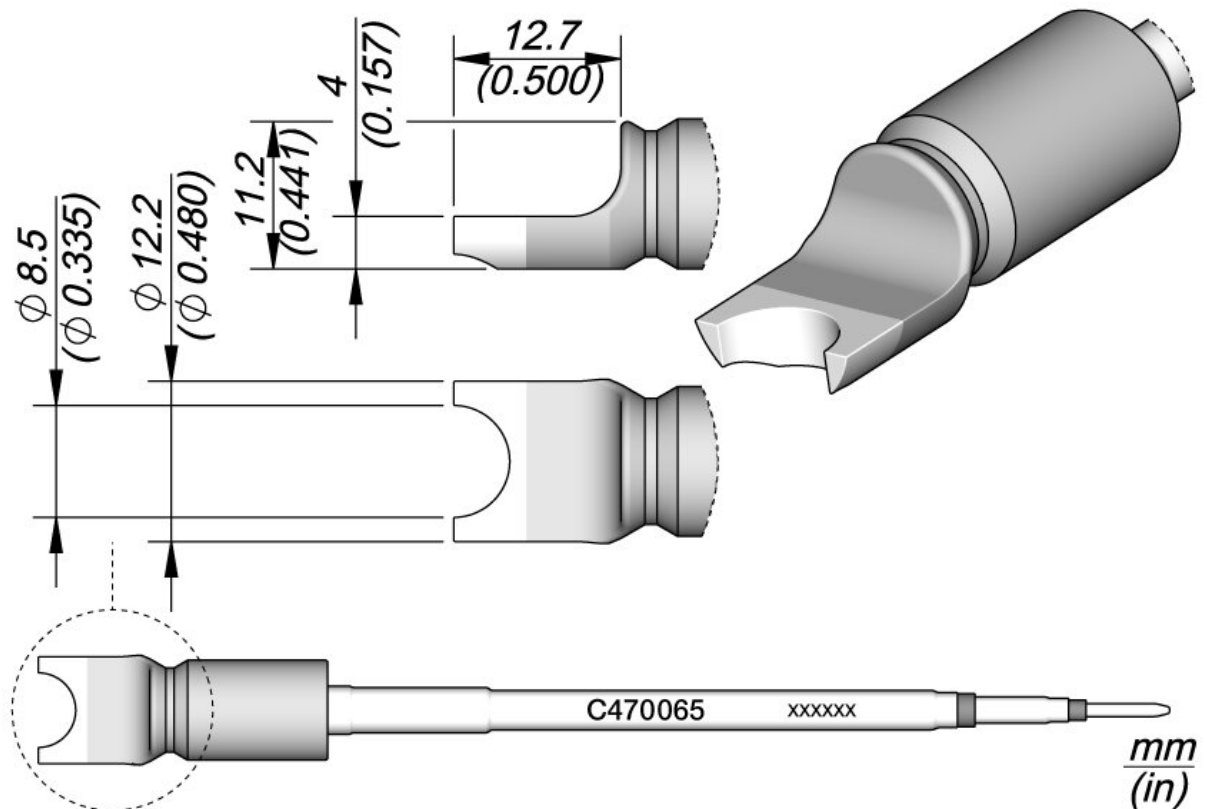


Soldering tip for circular connectors, Ø 8.5



This cartridge is especially suitable for soldering cables and connectors. Due to their size, these cartridges are suitable for intensive soldering work and they are perfect for SMD and high power applications. They work with the T470 HD handles. JBC Long Life Tips offer instant heating, excellent heat transfer and long life. Thanks to the JBC Most Efficient Soldering System and Sleep & Hibernation functions, they last 5 times longer than other brands.

Item no.	WL86688
Manufacturer	JBC
Manufacturer article no.	C470065
Length	183 mm
Width	60 mm
Height	34 mm

Products for the electronic industry



Sales unit	1 piece
Content unit	1 piece
Incl. battery	no
Tip series	C470
ESD compliant	no

