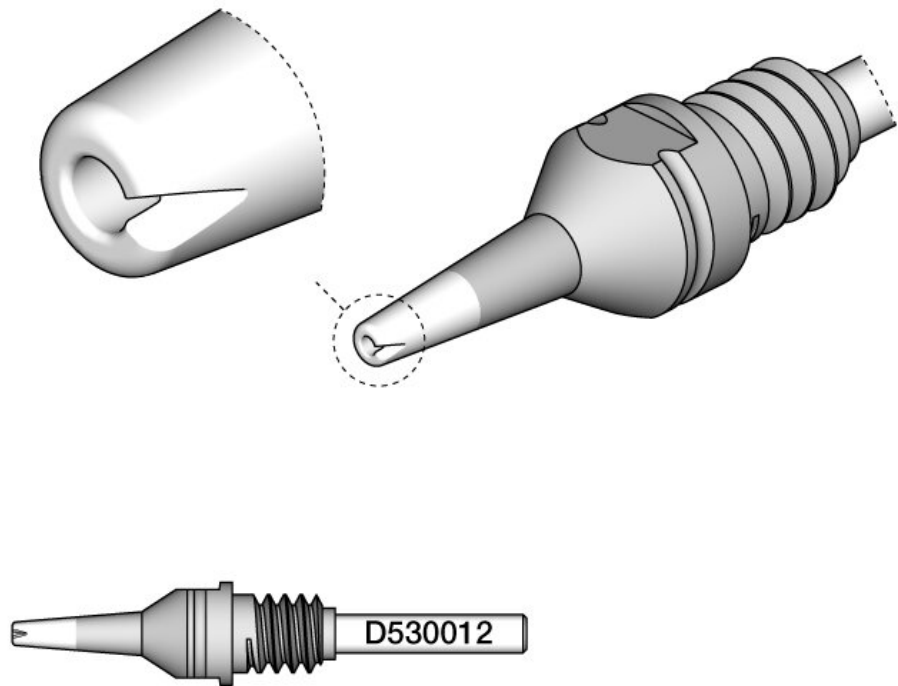


Desoldering tip for pad cleaning, Ø 0.8 mm, S1, D530012



The desoldering tips of the D530 series for pad cleaning have a characteristic contact surface with a slot that allows air to circulate and thus ensures easy cleaning of the pad. The JBC desoldering tip D530012 has an inner diameter of Ø 0.8 mm and an outer diameter of Ø 1.8 mm.

Item no.	WL85013
Manufacturer	JBC
Manufacturer article no.	D530012
GPSR manufacturer data	JBC Soldering SL Ramón y Cajal 3 ES-08750 Molins De Rei www.jbctools.com
Length with packaging	95 mm
Width with packaging	45 mm

Products for the electronic industry



Height with packaging	5 mm
Sales unit	1 piece
Content unit	1 piece
Inner diameter (desoldering tip)	0.8 mm
Soldering tip or desoldering tip	desoldering tip
Tip series	D530
Application area (desoldering tip)	Pad cleaning
Soldering tip diameter	1.8 mm
Suitable desoldering iron	DT530-A
Matching handpiece	DT530
ESD compliant	no