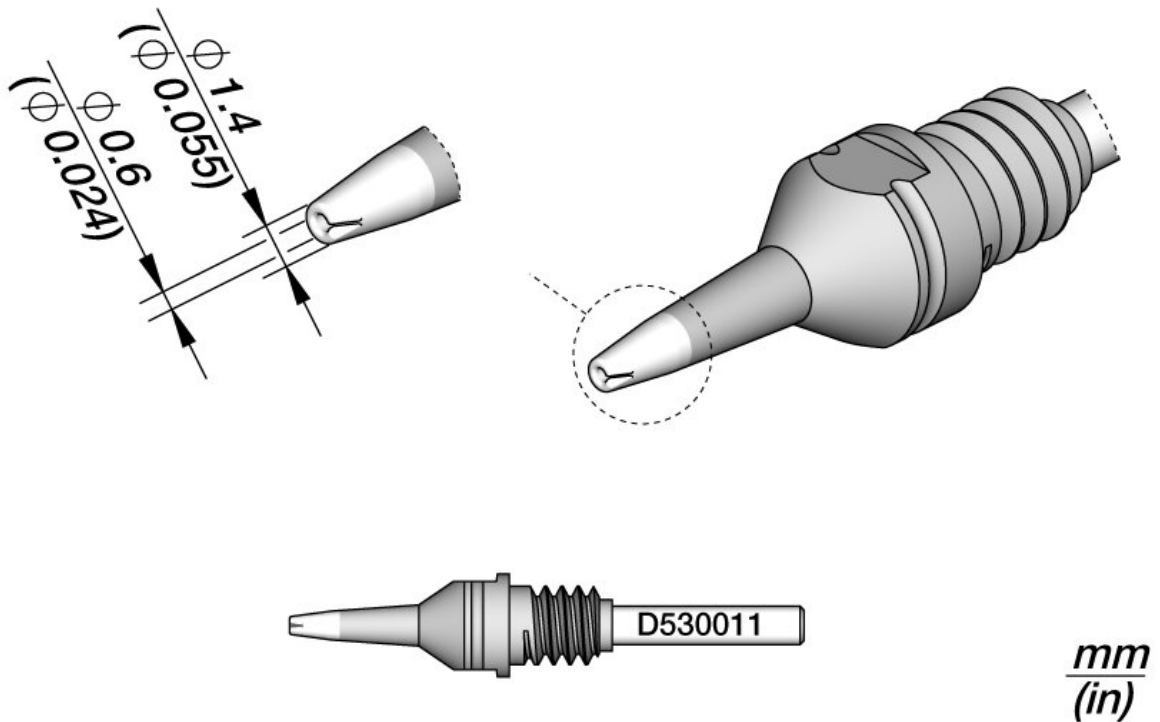


Desoldering tip for pad cleaning, Ø 0.6 mm, HT S2, D530011



The D530 series desoldering tips for pad cleaning have a characteristic contact surface with a slot that allows air to circulate, ensuring easy cleaning of the pad. The JBC desoldering tip D530011 has an inner diameter of Ø 0.6 mm and an outer diameter of Ø 1.4 mm.

Item no.	WL84921
Manufacturer	JBC
Manufacturer article no.	D530011
GPSR manufacturer data	JBC Soldering SL Ramón y Cajal 3 ES-08750 Molins De Rei www.jbctools.com
Length with packaging	95 mm
Width with packaging	45 mm

Products for the electronic industry



Height with packaging	5 mm
Sales unit	1 piece
Content unit	1 piece
Incl. battery	no
Inner diameter (desoldering tip)	0.6 mm
Soldering tip or desoldering tip	desoldering tip
Tip series	D530
Application area (desoldering tip)	Pad cleaning
Soldering tip diameter	1.4 mm
Suitable desoldering iron	DT530-A
Matching handpiece	DT530
ESD compliant	no