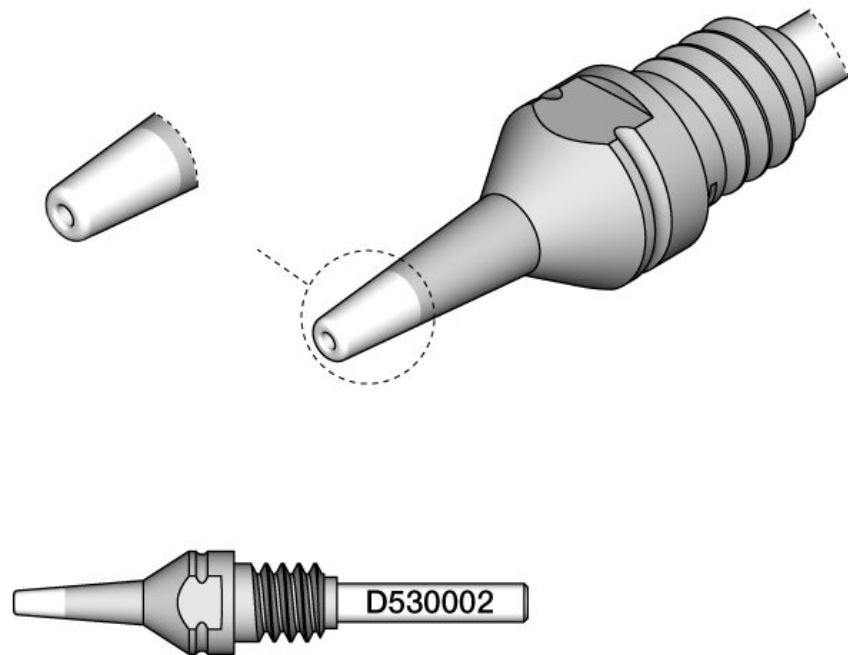


Desoldering tip for pin, Ø 0.8 mm, HT S1, D530002



This high-quality desoldering tip from the D530 series has been specially developed for precise and efficient desoldering of pins and THT components. With an inner diameter of 0.8 mm, it is possible to desolder pins with a diameter of up to 0.6 mm. The outer diameter of the desoldering tip D530002 is 1.8 mm. Thanks to the specially shaped tip, it enables precise heat transfer to the soldering area, allowing the solder to be removed quickly and cleanly. The desoldering tip is ideal for use in PCB repairs and ensures gentle treatment of the components. For optimum function, it is important to keep the distance between the pin and the desoldering tip as small as possible, while ensuring optimum air circulation and easy cleaning of the cylinder. This ensures effective suction air circulation, which facilitates desoldering and speeds up cleaning. With its durable construction and high heat resistance, this desoldering tip is the perfect choice for electronics engineers and technicians who value precise and clean work.

Item no. **WL84906**

Manufacturer **JBC**

Products for the electronic industry



Manufacturer article no.	D530002
GPSR manufacturer data	JBC Soldering SL Ramón y Cajal 3 ES-08750 Molins De Rei www.jbctools.com
Length with packaging	95 mm
Width with packaging	45 mm
Height with packaging	5 mm
Sales unit	1 piece
Content unit	1 piece
Inner diameter (desoldering tip)	0.8 mm
Soldering tip or desoldering tip	desoldering tip
Tip series	D530
Pin diameter (max.)	0.6 mm
Application area (desoldering tip)	Through-hole desoldering
Soldering tip diameter	1.8 mm
Suitable desoldering iron	DT530-A
Matching handpiece	DT530
ESD compliant	no