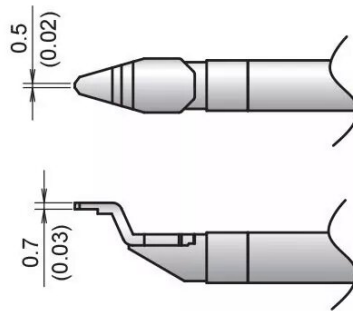


Soldering tip T51-C05, chip-shaped

T51-C05

Units:mm (in.)



- Tip shape: Chip
- width: 0,5mm

Item no.	WL75363
Manufacturer	HAKKO
Manufacturer article no.	T51-C05
GPSR manufacturer data	TBK - Technisches Büro Kullik GmbH Industriestrasse 27 DE-56276 Großmaiseid www.kullik.com/
Width	0.5 mm
Sales unit	1 piece
Content unit	1 piece

Products for the electronic industry



Colour	grey
Incl. battery	no
ESD compliant	no

