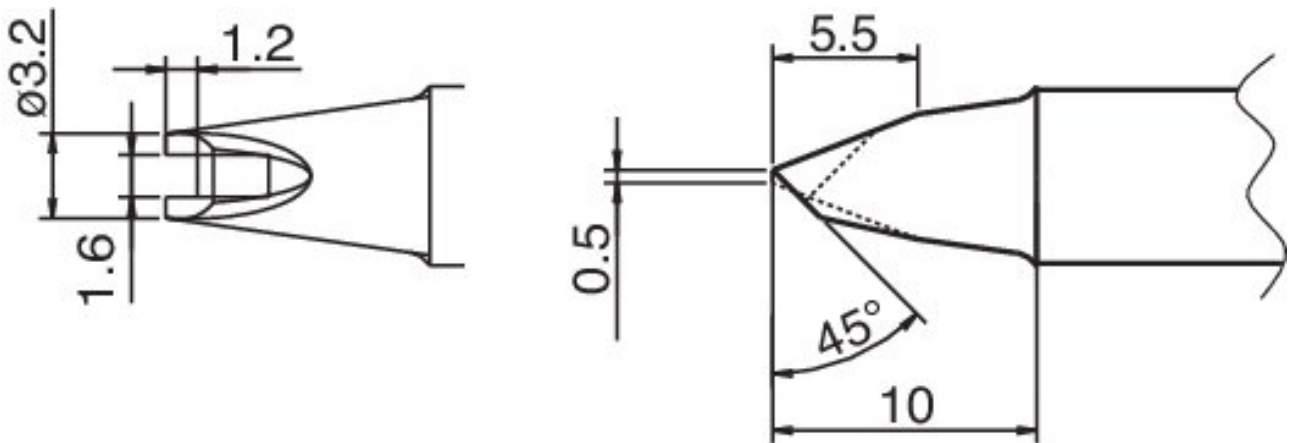


COMPOSIT soldering tip format concave



- for HAKKO soldering iron FX 8301-01 and HAKKO N2 soldering iron FX 8302-01 (nozzle E - B 3124)

Item no.	WL75054
Manufacturer	HAKKO
Manufacturer article no.	T20-1611
GPSR manufacturer data	TBK - Technisches Büro Kullik GmbH Industriestrasse 27 DE-56276 Großmaiseid www.kullik.com/
Length	65 mm
Width	170 mm
Height	15 mm
Sales unit	1 piece
Content unit	1 piece
Tip series	T20
Tip shape	special form
Tip alignment	straight
Matching handpiece	FX-838
ESD compliant	no