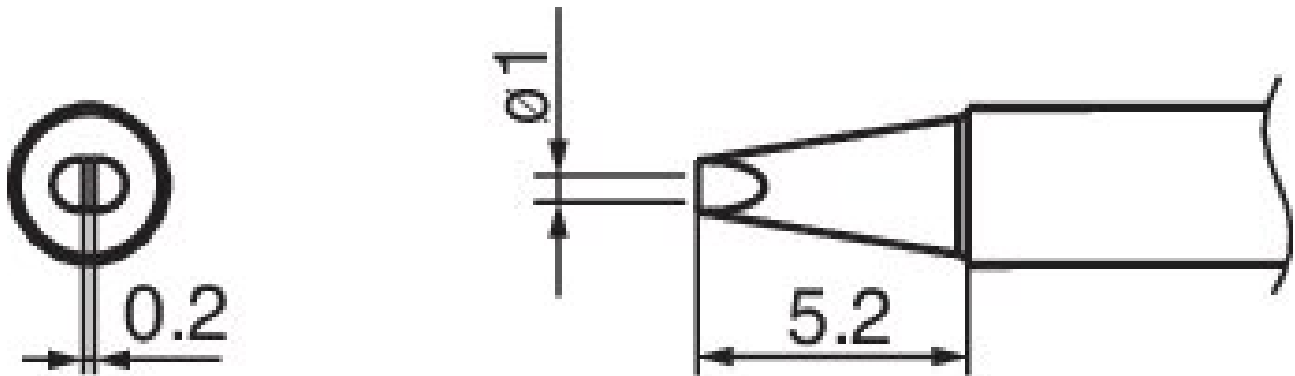


## COMPOSIT soldering tip 400°C format 1D



- for HAKKO micro soldering iron FX 1002

Item no.	WL75046
Manufacturer	HAKKO
Manufacturer article no.	T35-02D1
GPSR manufacturer data	TBK - Technisches Büro Kullik GmbH Industriestrasse 27 DE-56276 Großmaiseid www.kullik.com/
Length	220 mm
Width	45 mm
Height	7 mm
Sales unit	1 piece
Content unit	1 piece
Incl. battery	no
Tip series	T35
Tip shape	chisel-shaped
Tip alignment	straight
Matching handpiece	FX 1002
ESD compliant	no