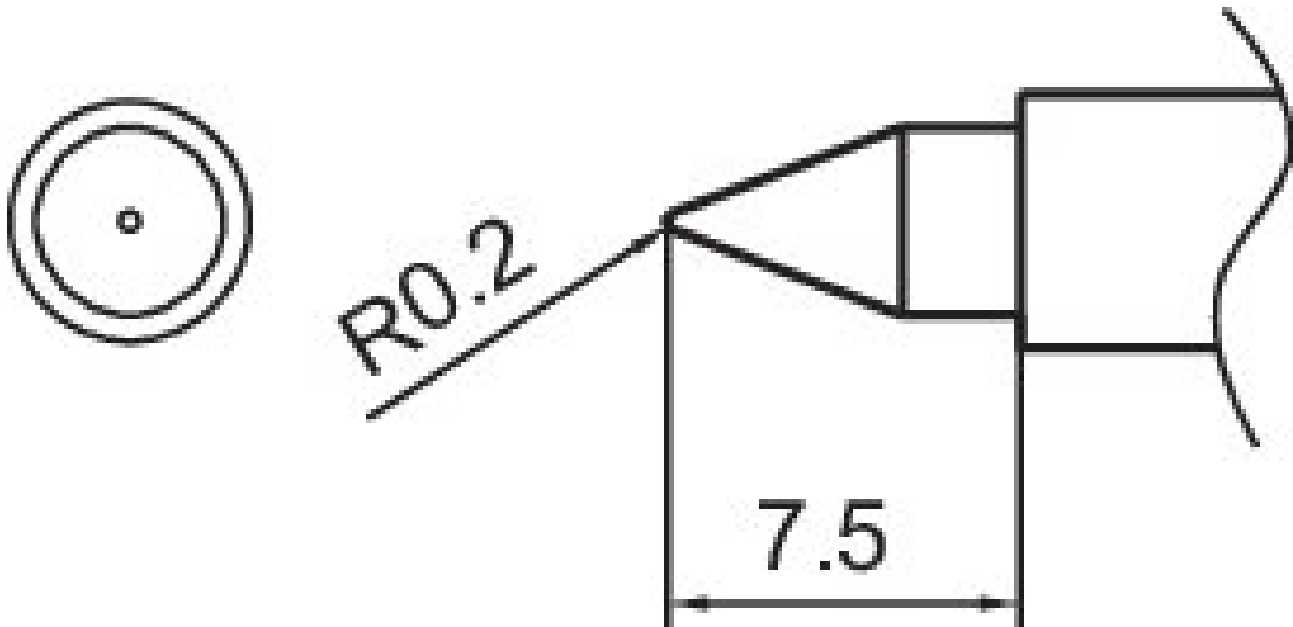


Soldering tip format B



- for HAKKO soldering iron 901

Item no.	WL74987
Manufacturer	HAKKO
Manufacturer article no.	T11-B
GPSR manufacturer data	TBK - Technisches Büro Kullik GmbH Industriestrasse 27 DE-56276 Großmaiseid www.kullik.com/
Length	220 mm
Width	45 mm
Height	6 mm
Sales unit	1 piece
Content unit	1 piece
Tip series	T11
Tip shape	conical
Tip alignment	straight
Matching handpiece	FX-901

ESD compliant

no

