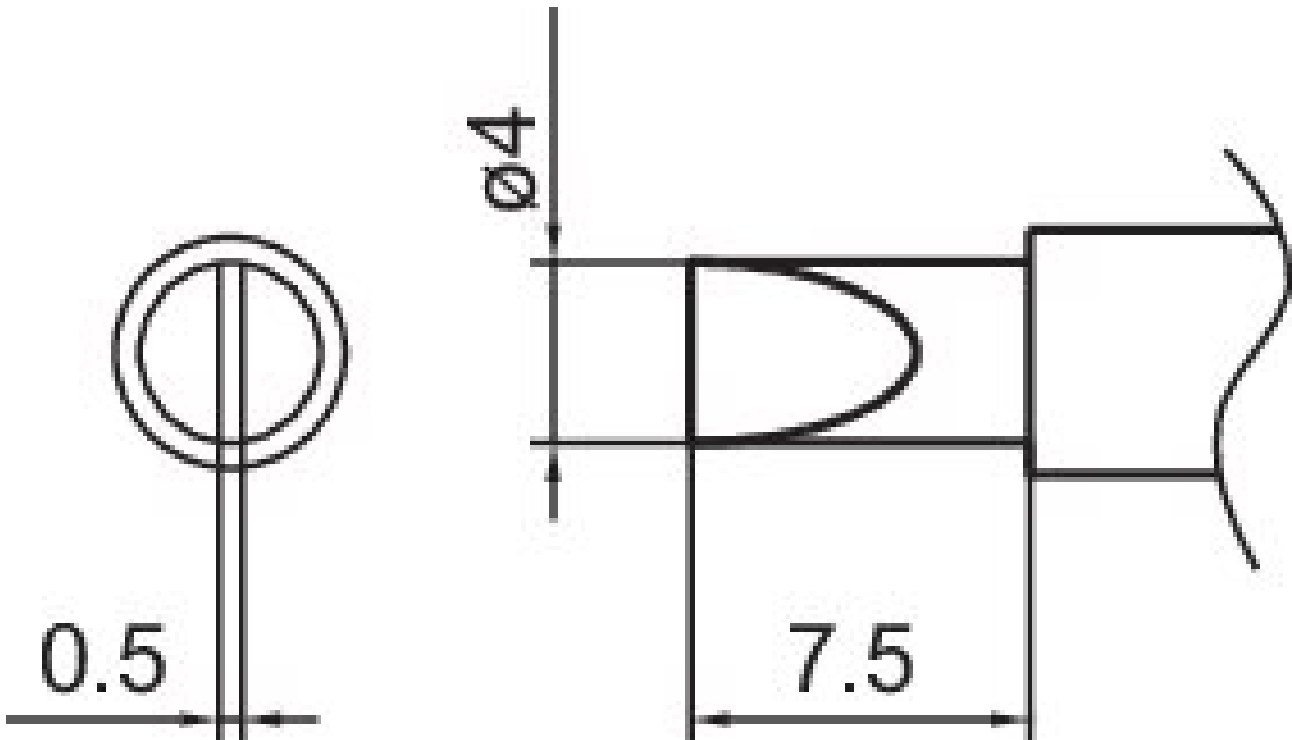


## Soldering tip Format 4D



- for HAKKO soldering iron 901

Item no.	WL74986
Manufacturer	HAKKO
Manufacturer article no.	T11-D4
GPSR manufacturer data	TBK - Technisches Büro Kullik GmbH Industriestrasse 27 DE-56276 Großmaiseid www.kullik.com/
Length	220 mm
Width	45 mm
Height	7 mm
Sales unit	1 piece
Content unit	1 piece
Tip series	T11
Tip shape	chisel-shaped

Tip alignment	straight
Matching handpiece	FX-901
ESD compliant	no

