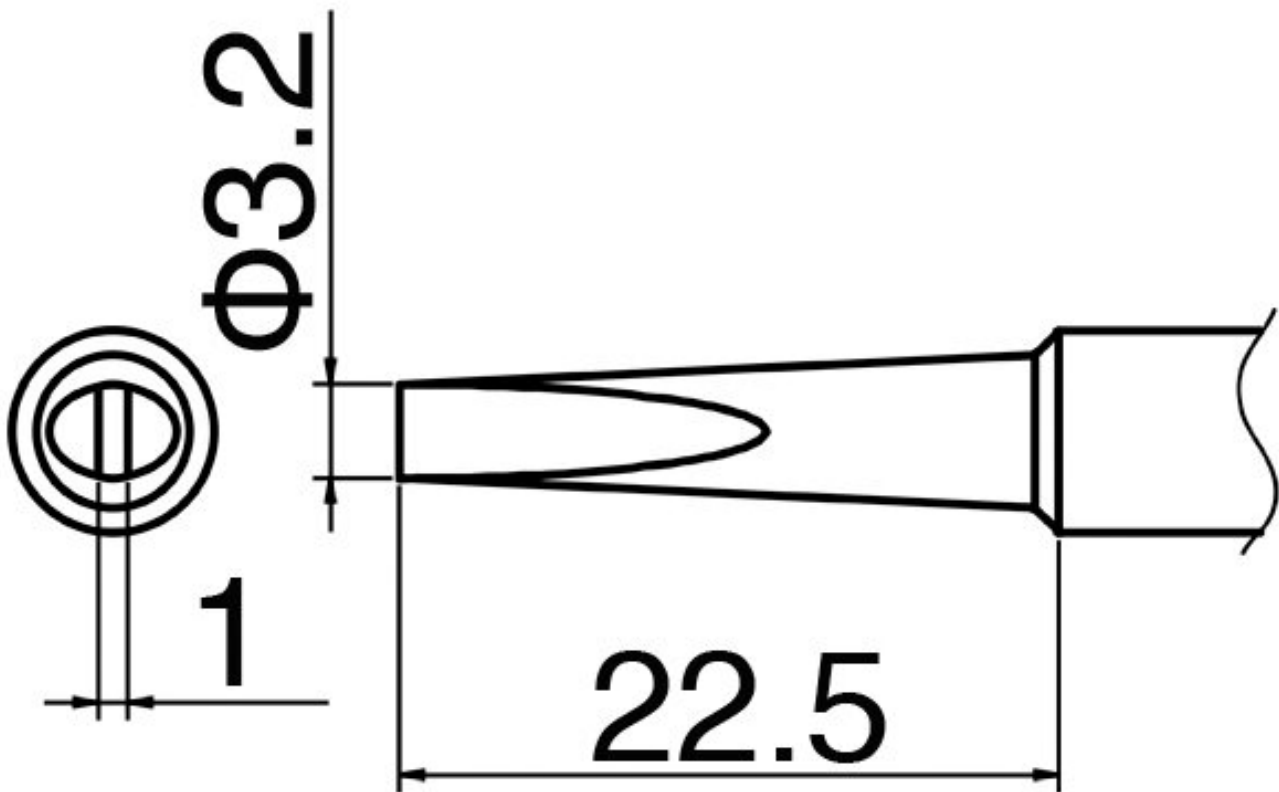


Soldering tip format 3.2DL



- for HAKKO soldering irons 907 / 913 / 951 / FX 8801 / FX 8802 / FX 8803

Item no.	WL74955
Manufacturer	HAKKO
Manufacturer article no.	T18-DL32
GPSR manufacturer data	TBK - Technisches Büro Kullik GmbH Industriestrasse 27 DE-56276 Großmaischeid www.kullik.com/
Length	125 mm
Width	48 mm
Height	7 mm
Sales unit	1 piece
Content unit	1 piece

Tip series	T18
ESD compliant	no

