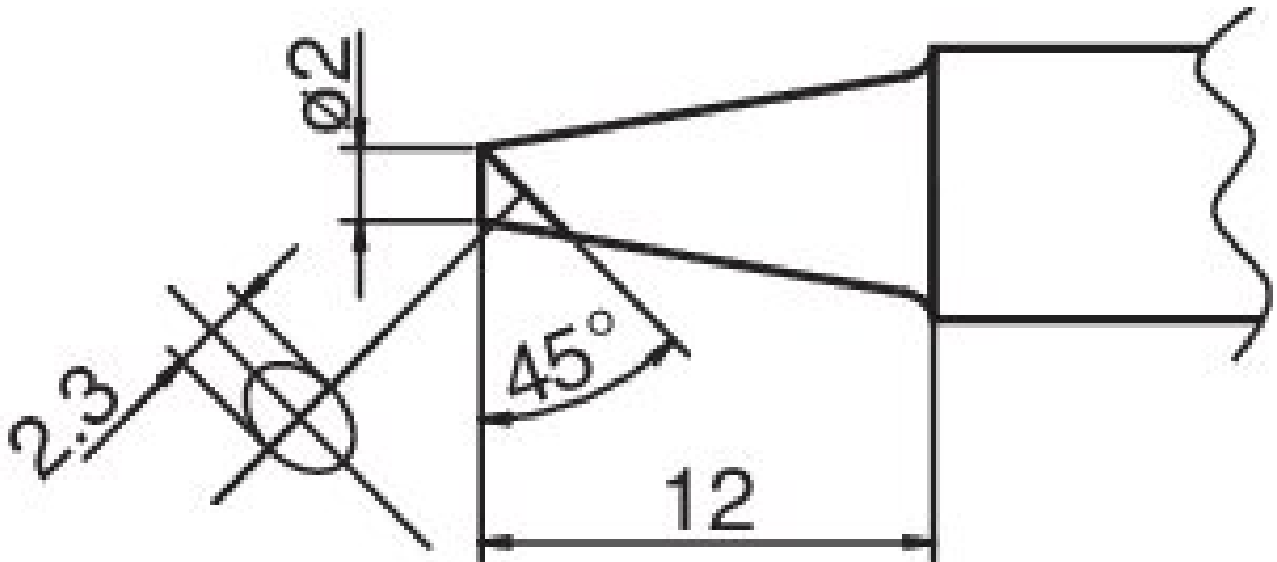


COMPOSIT soldering tip format 2BC



- for HAKKO soldering iron FX 8301-01 and HAKKO N2 soldering iron FX 8302-01 (nozzle D - B 3124)

item number	WL74939
manufacturer	HAKKO
manufacturer item number	T20-BC2
GPSR manufacturer information	TBK - Technisches Büro Kullik GmbH Industriestrasse 27 DE-56276 Großmaischeid www.kullik.com/
length	65 mm
width	170 mm
height	15 mm
order unit	1 piece
content unit	1 piece