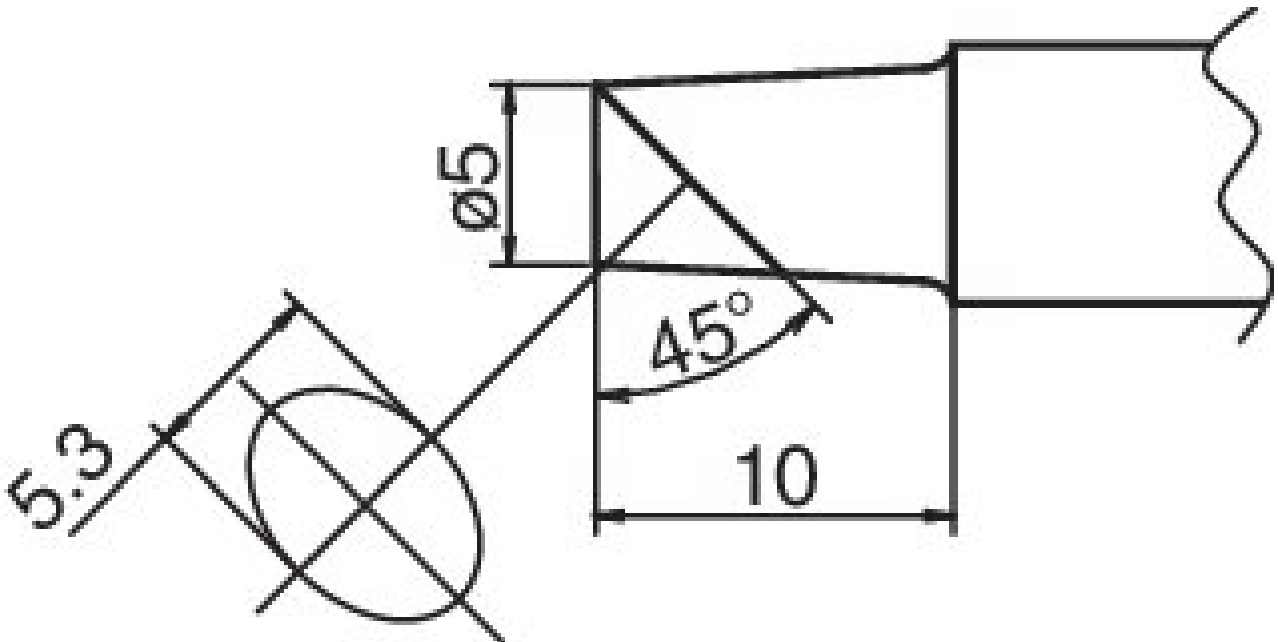


## COMPOSIT soldering tip format 5C



- for HAKKO soldering iron FX 8301-01 and HAKKO N2 soldering iron FX 8302-01 (nozzle D - B 3124)

Item no.	WL74932
Manufacturer	HAKKO
Manufacturer article no.	T20-C5
GPSR manufacturer data	TBK - Technisches Büro Kullik GmbH Industriestrasse 27 DE-56276 Großmaiseid www.kullik.com/
Length	65 mm
Width	170 mm
Height	15 mm
Sales unit	1 piece
Content unit	1 piece
Incl. battery	no
Tip series	T20
ESD compliant	no