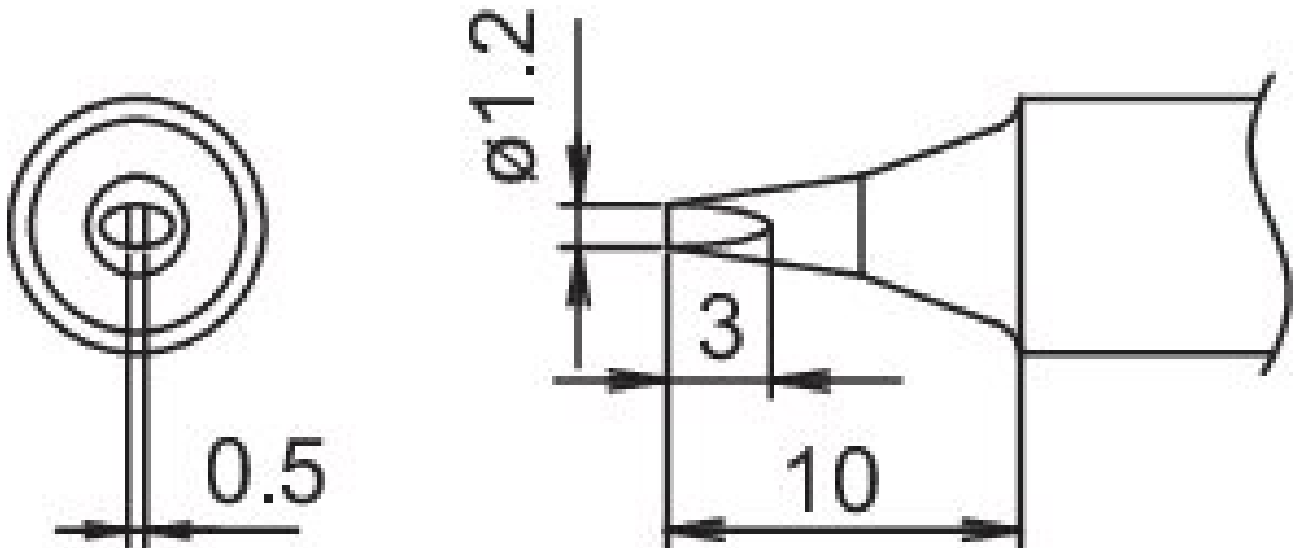


## COMPOSIT soldering tip format 1.2D



- for HAKKO FM 2030 soldering iron and HAKKO N2 FM 2031 soldering iron (nozzle A - B 3121)

Item no.	WL74921
Manufacturer	HAKKO
Manufacturer article no.	T22-D12
GPSR manufacturer data	TBK - Technisches Büro Kullik GmbH Industriestrasse 27 DE-56276 Großmaiseid www.kullik.com/
Length	220 mm
Width	45 mm
Height	10 mm
Sales unit	1 piece
Content unit	1 piece
Incl. battery	no
Tip series	T22
ESD compliant	no