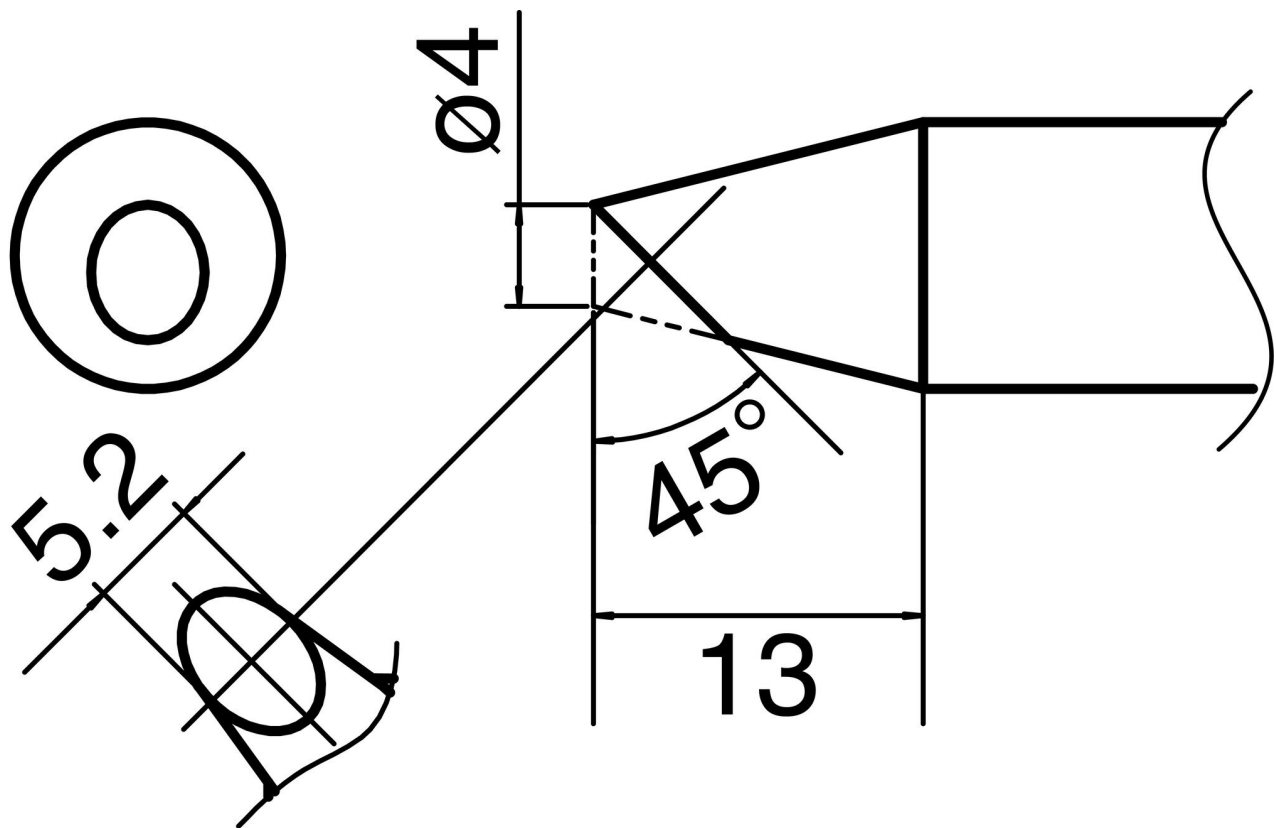


COMPOSIT soldering tip format 4BC



- for HAKKO FX 8002 soldering iron and HAKKO FX 8003 N2 soldering iron (nozzle A - B 5069)

Item no.	WL74870
Manufacturer	HAKKO
Manufacturer article no.	T33-BC4
GPSR manufacturer data	TBK - Technisches Büro Kullik GmbH Industriestrasse 27 DE-56276 Großmaischeid www.kullik.com/
Length	220 mm
Width	45 mm
Height	20 mm
Sales unit	1 piece

Products for the electronic industry



Content unit	1 piece
Tip series	T33
ESD compliant	no

