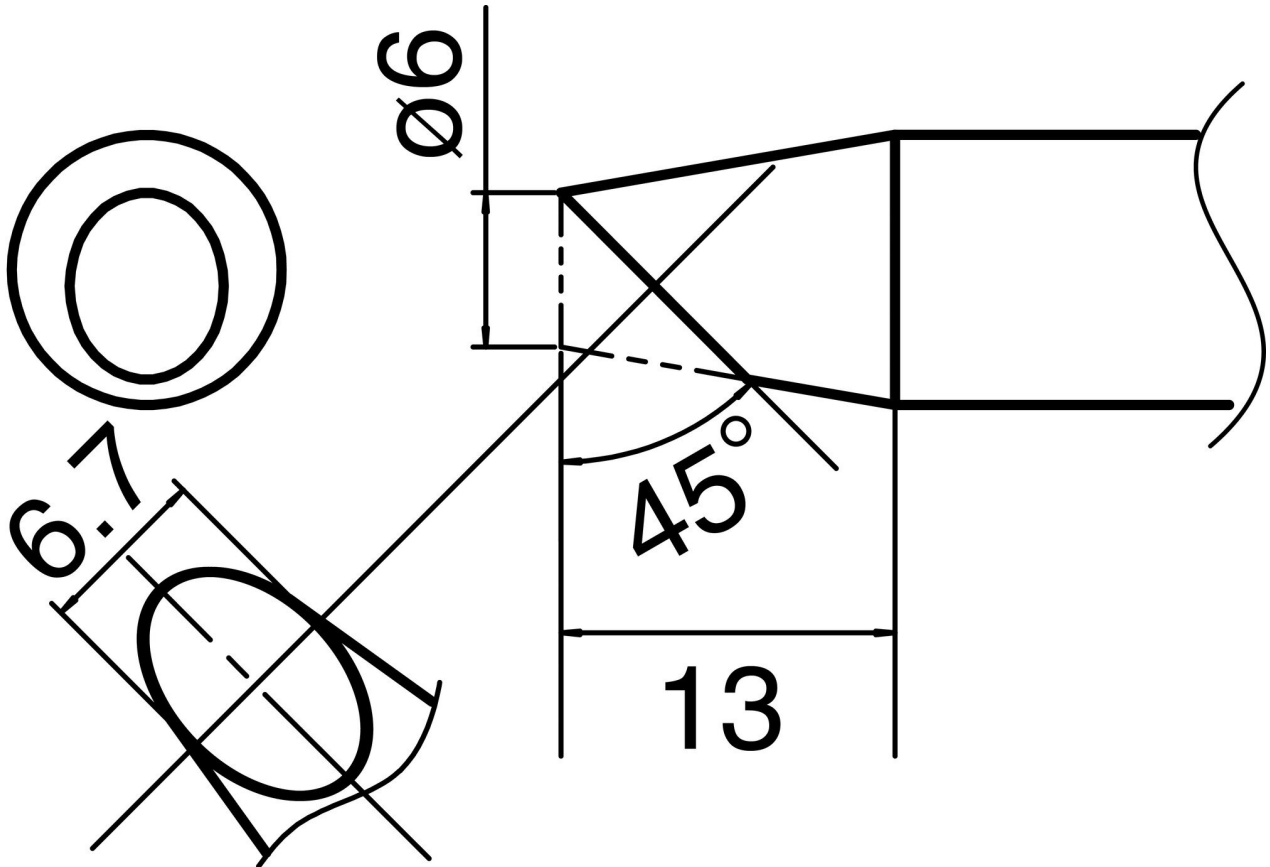


## COMPOSIT soldering tip format 6BC



- for HAKKO soldering iron FX 8002 and HAKKO N2 soldering iron FX 8003 (nozzle A - B 5069)

Item no.	WL74868
Manufacturer	HAKKO
Manufacturer article no.	T33-BC6
GPSR manufacturer data	TBK - Technisches Büro Kullik GmbH Industriestrasse 27 DE-56276 Großmaiseid www.kullik.com/
Length	220 mm
Width	45 mm
Height	20 mm
Sales unit	1 piece

Products for the electronic industry



Content unit	1 piece
Incl. battery	no
Tip series	T33
ESD compliant	no

