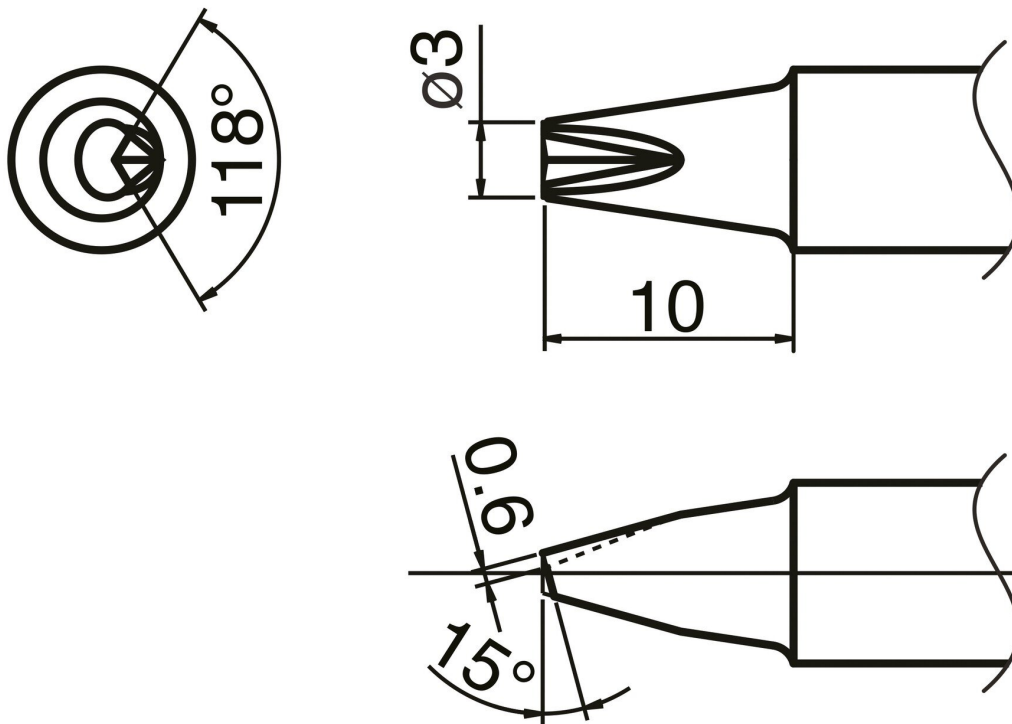


COMPOSIT soldering tip format SSConcave - fillet



- for HAKKO FX 8002 soldering iron and HAKKO FX 8003 N2 soldering iron

Item no.	WL74864
Manufacturer	HAKKO
Manufacturer article no.	T33-SS1610
GPSR manufacturer data	TBK - Technisches Büro Kullik GmbH Industriestrasse 27 DE-56276 Großmaischeid www.kullik.com/
Length	220 mm
Width	45 mm
Height	20 mm

Sales unit	1 piece
Content unit	1 piece
Tip series	T33
ESD compliant	no

