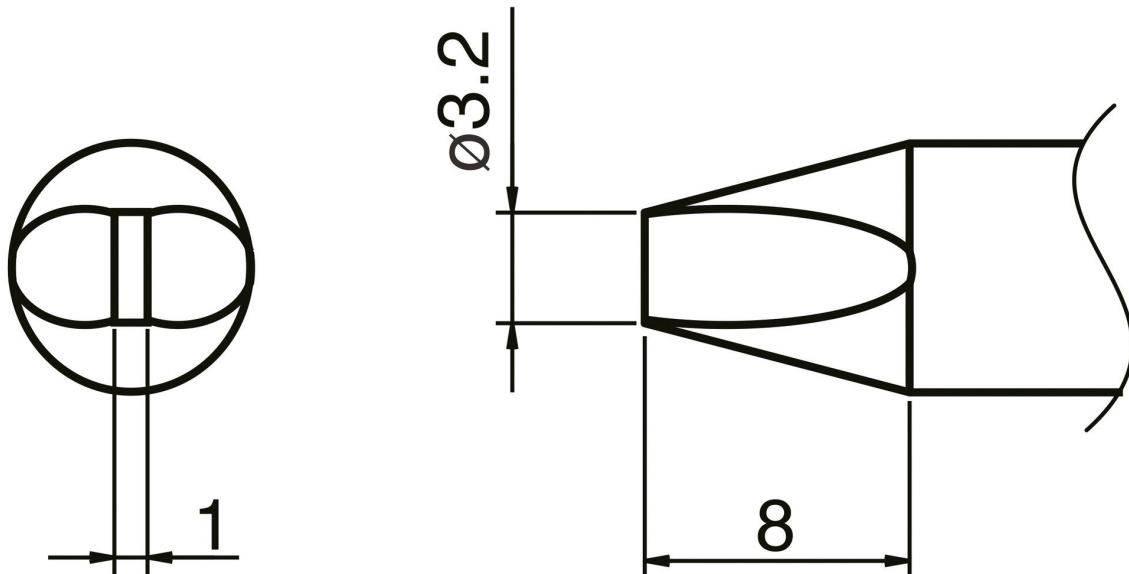


## COMPOSIT soldering tip format 3.2SSD



- for HAKKO FX 8002 soldering iron and HAKKO FX 8003 N2 soldering iron (nozzle B - B 5070)

Item no.	WL74857
Manufacturer	HAKKO
Manufacturer article no.	T33-SSD32
GPSR manufacturer data	TBK - Technisches Büro Kullik GmbH Industriestrasse 27 DE-56276 Großmaiseid www.kullik.com/
Length	220 mm
Width	45 mm
Height	20 mm

Products for the electronic industry



Sales unit	1 piece
Content unit	1 piece
Incl. battery	no
Tip series	T33
ESD compliant	no

