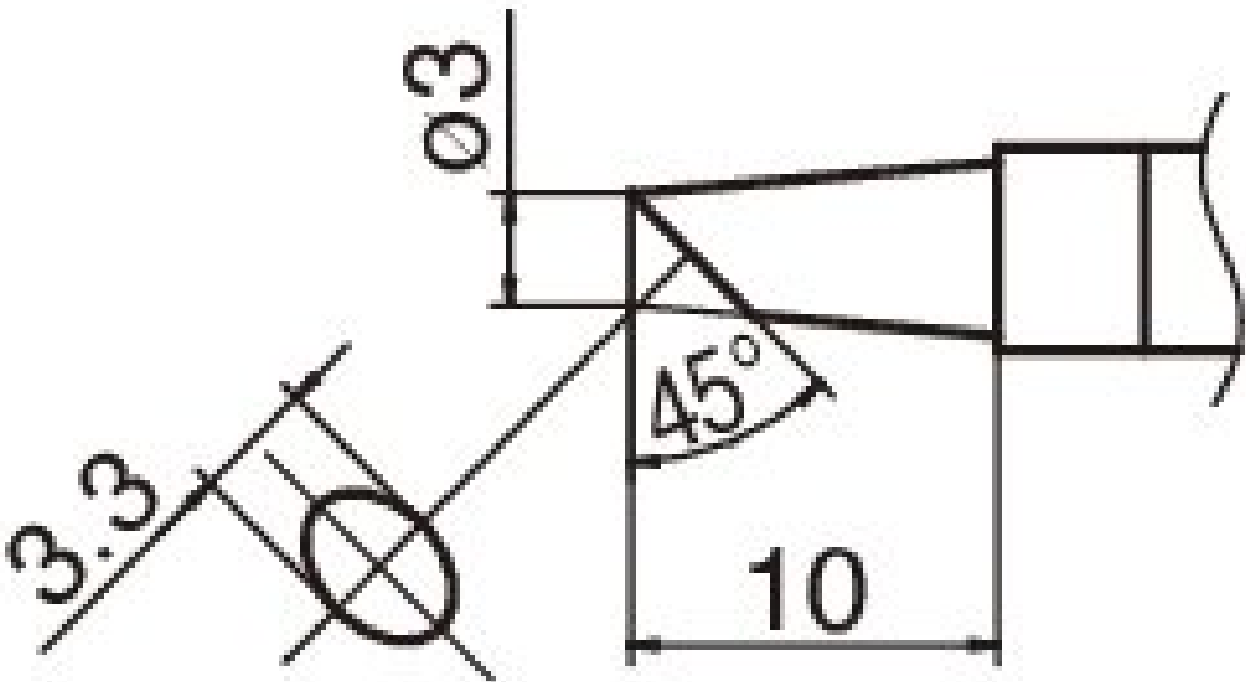


Soldering tip format 3BC



- for HAKKO IoT soldering iron FN 1101 / FN 1102 (nozzle D - B 5236)

Item no.	WL74844
Manufacturer	HAKKO
Manufacturer article no.	T36-BC3
GPSR manufacturer data	TBK - Technisches Büro Kullik GmbH Industriestrasse 27 DE-56276 Großmaiseid www.kullik.com/
Length	220 mm
Width	45 mm
Height	6 mm
Sales unit	1 piece
Content unit	1 piece
Incl. battery	no
Tip series	T36

ESD compliant

no

