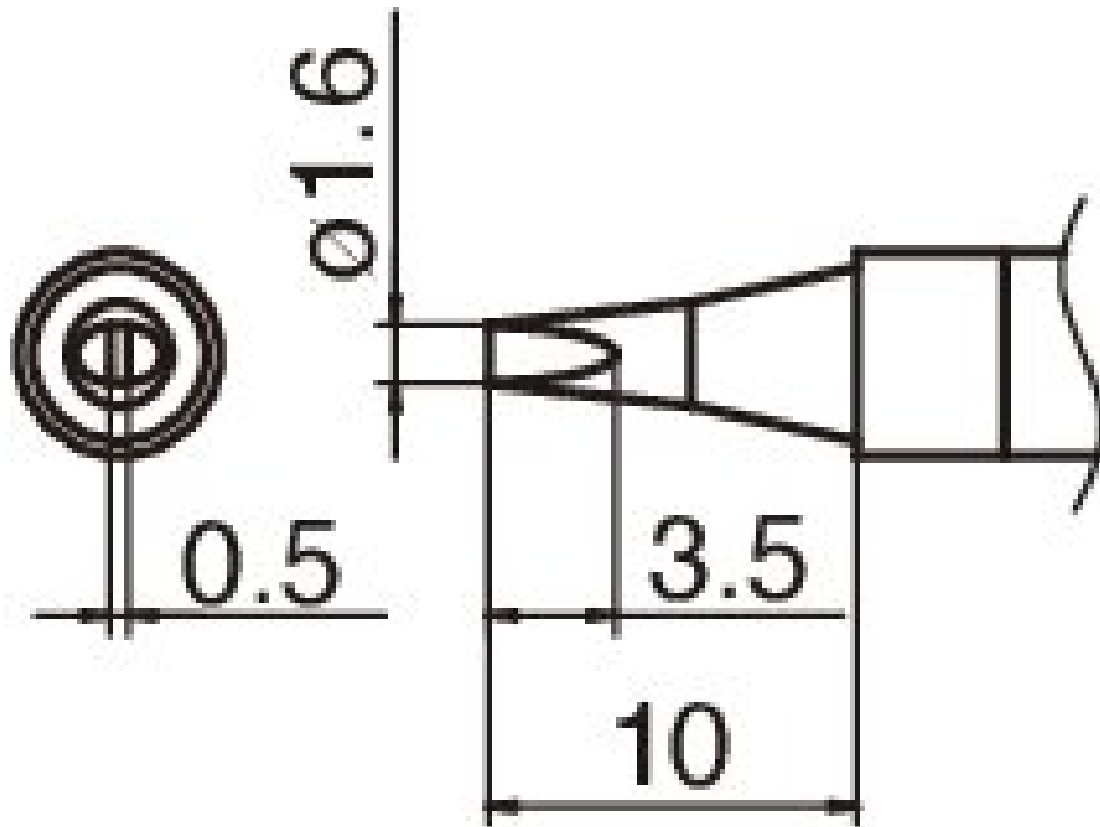


Soldering tip format 1.6D



- for HAKKO IoT soldering iron FN 1101 / FN 1102 (nozzle A - B 5233)

Item no.	WL74839
Manufacturer	HAKKO
Manufacturer article no.	T36-D16
GPSR manufacturer data	TBK - Technisches Büro Kullik GmbH Industriestrasse 27 DE-56276 Großmaiseid www.kullik.com/
Length	220 mm
Width	45 mm
Height	6 mm

Sales unit	1 piece
Content unit	1 piece
Tip series	T36
ESD compliant	no

