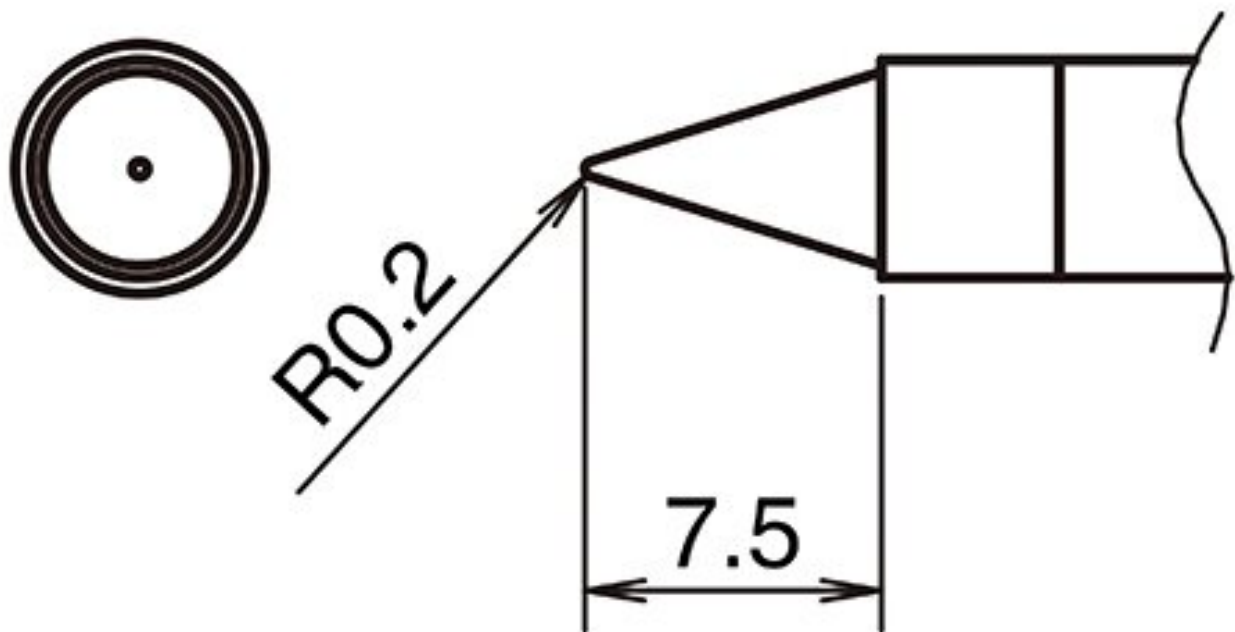


## Active soldering tip format 0.2B



- for HAKKO soldering iron FX 9701 and HAKKO N2 soldering iron FX 9702 (nozzle F - B 5295)

Item no.	WL74370
Manufacturer	HAKKO
Manufacturer article no.	T39-B02
GPSR manufacturer data	TBK - Technisches Büro Kullik GmbH Industriestrasse 27 DE-56276 Großmaiseid www.kullik.com/
Length	7.5 mm
Width	0.2 mm
Sales unit	1 piece
Content unit	1 piece
Incl. battery	no
Tip series	T39
Tip shape	conical

Tip alignment	straight
Matching handpiece	FX-9702
ESD compliant	no

