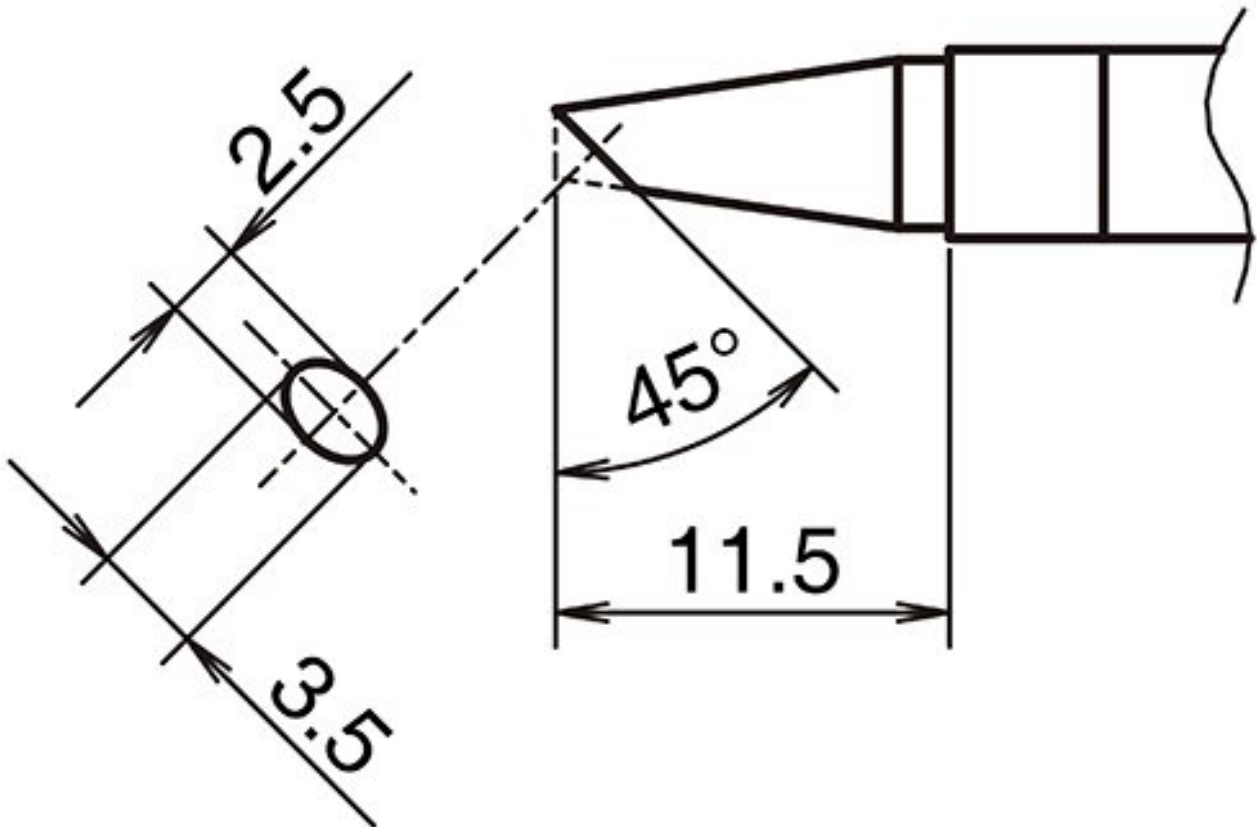


## Active soldering tip format BCF2535



- for HAKKO soldering iron FX 9701 and HAKKO N2-soldering iron FX 9702 (nozzle H - B 5297) - only soldering surface pre-tinned

Item no.	WL74360
Manufacturer	HAKKO
Manufacturer article no.	T39-BCF2535
GPSR manufacturer data	TBK - Technisches Büro Kullik GmbH Industriestrasse 27 DE-56276 Großmaiseid www.kullik.com/
Length	11.5 mm
Width	2.5 mm
Height	3.5 mm

Sales unit	1 piece
Content unit	1 piece
Incl. battery	no
Tip series	T39
Tip shape	bevelled
Tip alignment	sloped
Matching handpiece	FX-9702
ESD compliant	no

