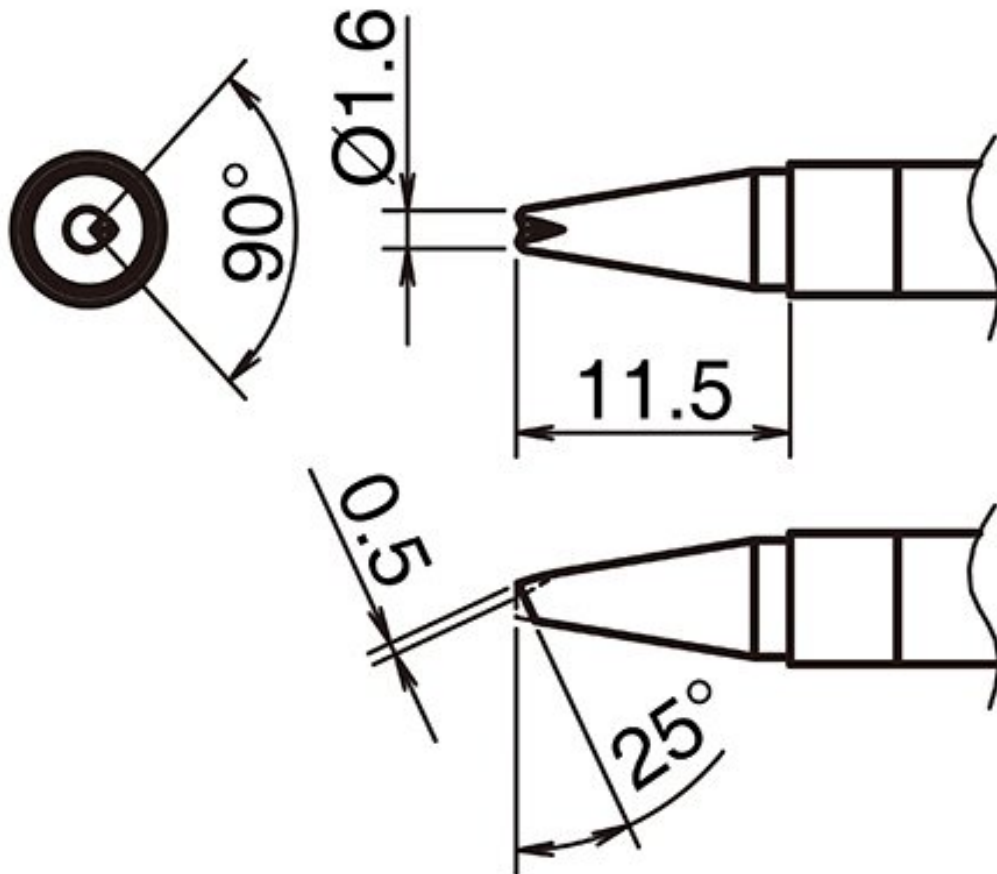


Active soldering tip format 1.6BCR



- V-groove for HAKKO soldering iron FX 9701 and HAKKO N2 soldering iron FX 9702 (nozzle I - B 5298)

Item no.	WL74354
Manufacturer	HAKKO
Manufacturer article no.	T39-BCR16
GPSR manufacturer data	TBK - Technisches Büro Kullik GmbH Industriestrasse 27 DE-56276 Großmaiseid www.kullik.com/
Length	11.5 mm
Width	1.6 mm
Sales unit	1 piece

Products for the electronic industry



Content unit	1 piece
Incl. battery	no
Tip series	T39
Tip shape	pencil-point
Tip alignment	straight
Matching handpiece	FX-9702
ESD compliant	no

