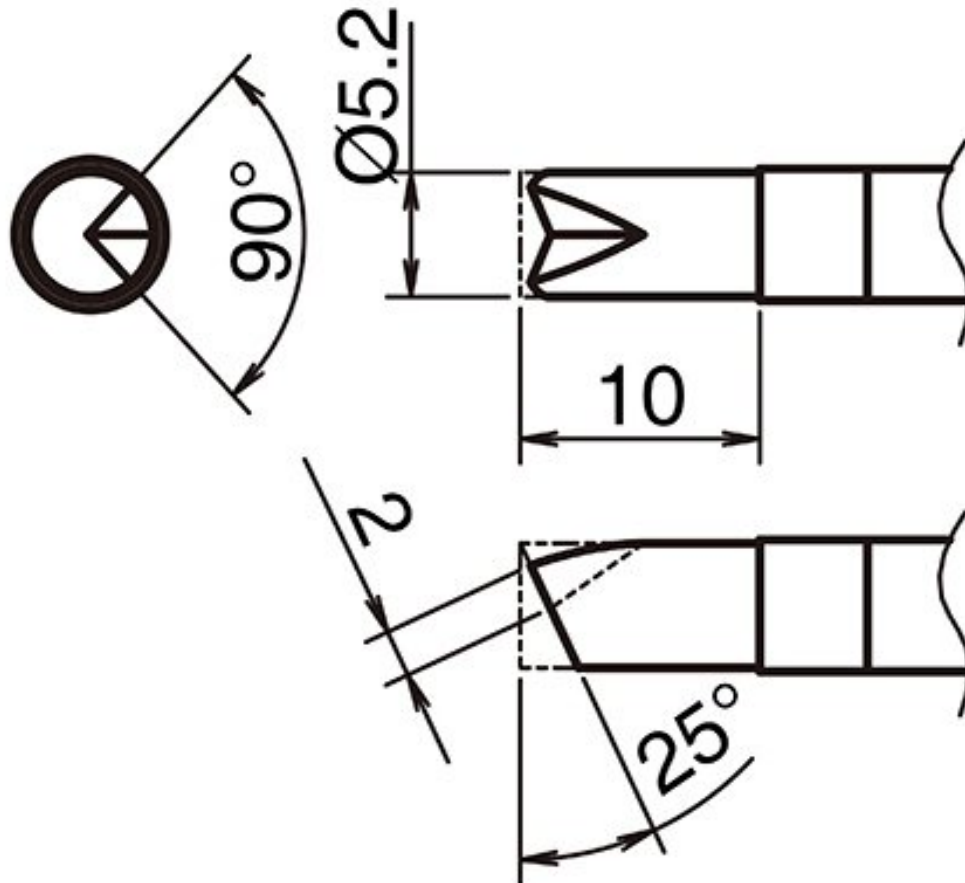


Active soldering tip format 5.2BCR



- V-groove for HAKKO soldering iron FX 9701 and HAKKO N2 soldering iron FX 9702 (nozzle B - B 5291)

Item no.	WL74350
Manufacturer	HAKKO
Manufacturer article no.	T39-BCR52
GPSR manufacturer data	TBK - Technisches Büro Kullik GmbH Industriestrasse 27 DE-56276 Großmaiseid www.kullik.com/
Length	10 mm
Width	5.2 mm
Sales unit	1 piece

Products for the electronic industry



Content unit	1 piece
Incl. battery	no
Tip series	T39
Tip shape	special form
Tip alignment	straight
Matching handpiece	FX-9702
ESD compliant	no

