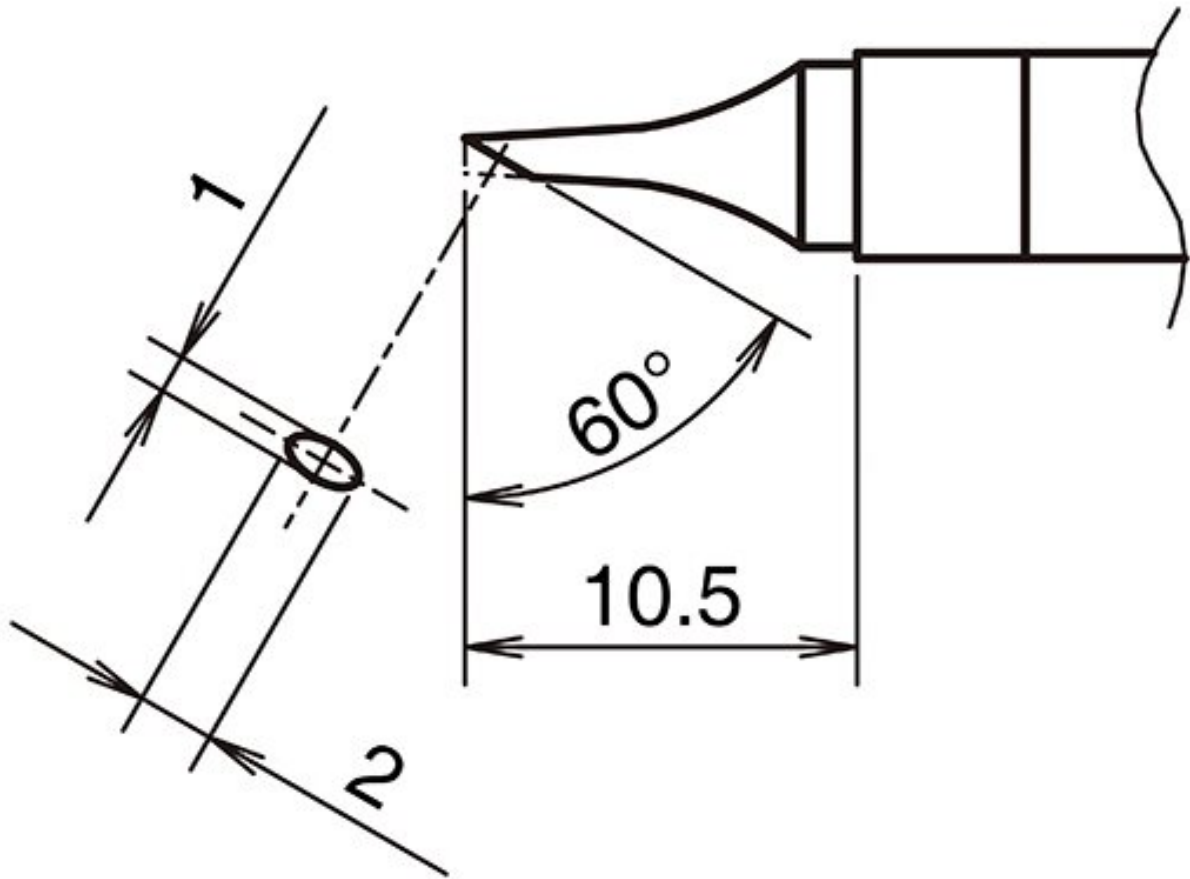


Active soldering tip format 1020C



- for HAKKO soldering iron FX 9701 and HAKKO N2 soldering iron FX 9702 (nozzle J - B 5332)

| | |
|--------------------------|---|
| Item no. | WL74345 |
| Manufacturer | HAKKO |
| Manufacturer article no. | T39-C1020 |
| GPSR manufacturer data | TBK - Technisches Büro Kullik GmbH Industriestrasse 27 DE-56276 Großmaisdorf www.kullik.com/ |
| Length | 10.5 mm |
| Width | 1 mm |
| Height | 2 mm |

Products for the electronic industry



| | |
|--------------------|----------|
| Sales unit | 1 piece |
| Content unit | 1 piece |
| Incl. battery | no |
| Tip series | T39 |
| Tip shape | bevelled |
| Tip alignment | sloped |
| Matching handpiece | FX-9702 |
| ESD compliant | no |