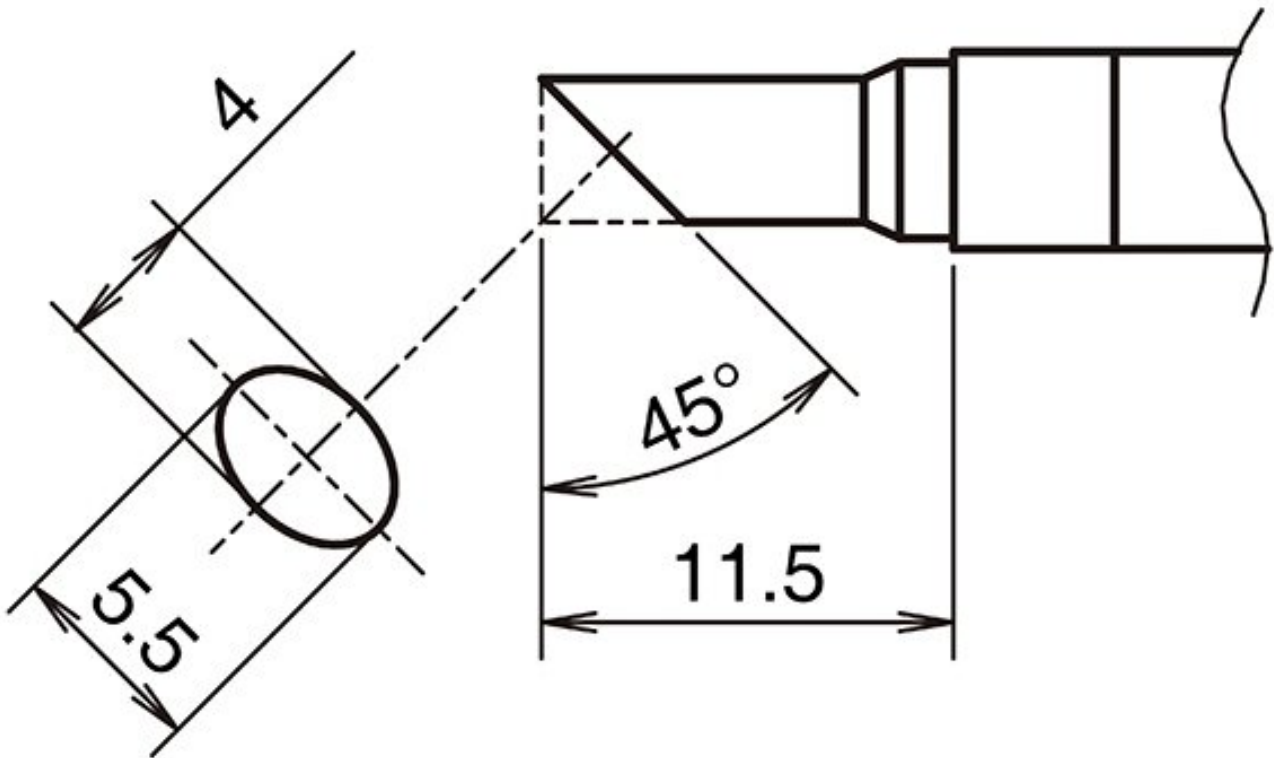


Active soldering tip format 4055CF



- for HAKKO soldering iron FX 9701 and HAKKO N2 soldering iron FX 9702 (nozzle E - B 5294) - only soldering surface pre-tinned

Item no.	WL74342
Manufacturer	HAKKO
Manufacturer article no.	T39-CF4055
GPSR manufacturer data	TBK - Technisches Büro Kullik GmbH Industriestrasse 27 DE-56276 Großmaischeid www.kullik.com/
Length	11.5 mm
Width	4 mm
Height	5.5 mm
Sales unit	1 piece
Content unit	1 piece

Incl. battery	no
Tip series	T39
Tip shape	bevelled
Tip alignment	sloped
Matching handpiece	FX-9702
ESD compliant	no

