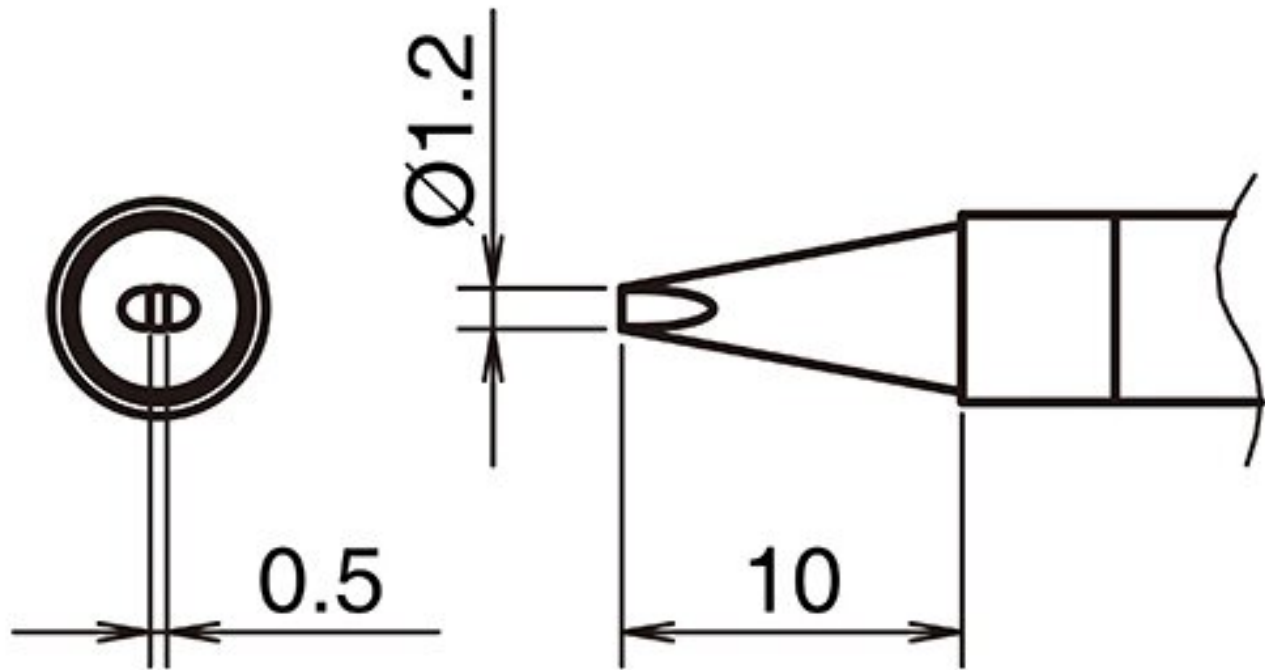


## Active soldering tip format 1.2D



- for HAKKO soldering iron FX 9701 and HAKKO N2 soldering iron FX 9702 (nozzle G - B 5296)

Item no.	WL74340
Manufacturer	HAKKO
Manufacturer article no.	T39-D12
GPSR manufacturer data	TBK - Technisches Büro Kullik GmbH Industriestrasse 27 DE-56276 Großmaiseid www.kullik.com/
Length	10 mm
Width	1.2 mm
Height	0.5 mm
Sales unit	1 piece
Content unit	1 piece
Tip series	T39
Tip shape	chisel-shaped

Tip alignment	straight
Matching handpiece	FX-9702
ESD compliant	no

