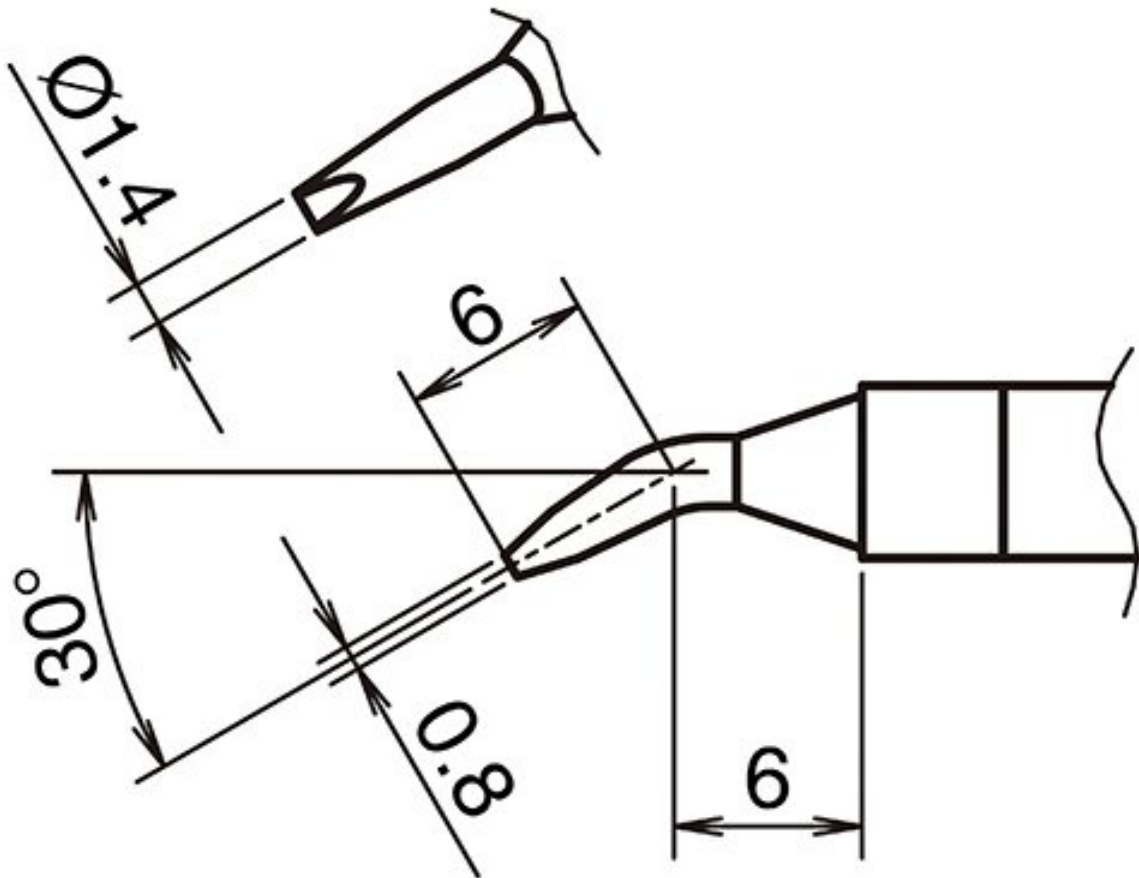


Active soldering tip size 1.4JD



- for HAKKO soldering iron FX 9701

Item no.	WL74315
Manufacturer	HAKKO
Manufacturer article no.	T39-JD14
GPSR manufacturer data	TBK - Technisches Büro Kullik GmbH Industriestrasse 27 DE-56276 Großmaiseid www.kullik.com/
Length	12 mm
Width	1.4 mm
Height	0.8 mm

Sales unit	1 piece
Content unit	1 piece
Incl. battery	no
Tip series	T39
Tip shape	conical
Tip alignment	bent
Matching handpiece	FX-971
ESD compliant	no

