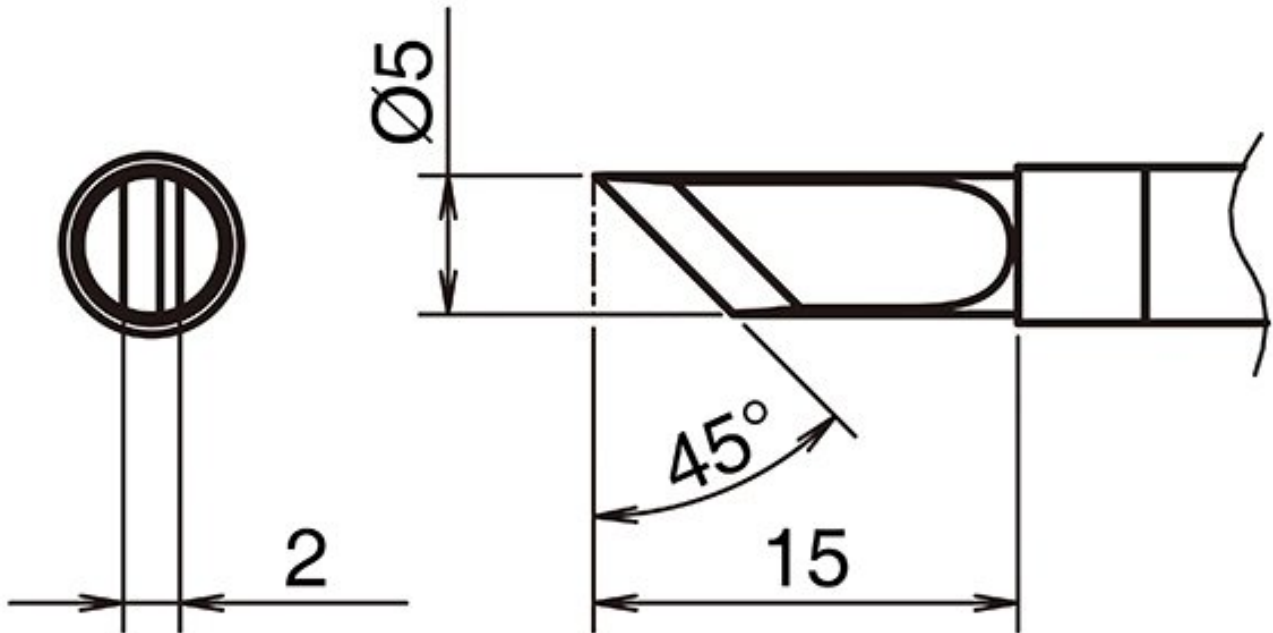


## Active soldering tip Format K



- for HAKKO soldering iron FX 9701 and HAKKO N2 soldering iron FX 9702 (nozzle A - B 5290)

Item no.	WL74311
Manufacturer	HAKKO
Manufacturer article no.	T39-K
GPSR manufacturer data	TBK - Technisches Büro Kullik GmbH Industriestrasse 27 DE-56276 Großmaiseid www.kullik.com/
Length	15 mm
Width	2 mm
Height	5 mm
Sales unit	1 piece
Content unit	1 piece
Incl. battery	no
Tip series	T39
Tip shape	knife-shaped

Products for the electronic industry



Tip alignment	sloped
Matching handpiece	FX-9702
ESD compliant	no

