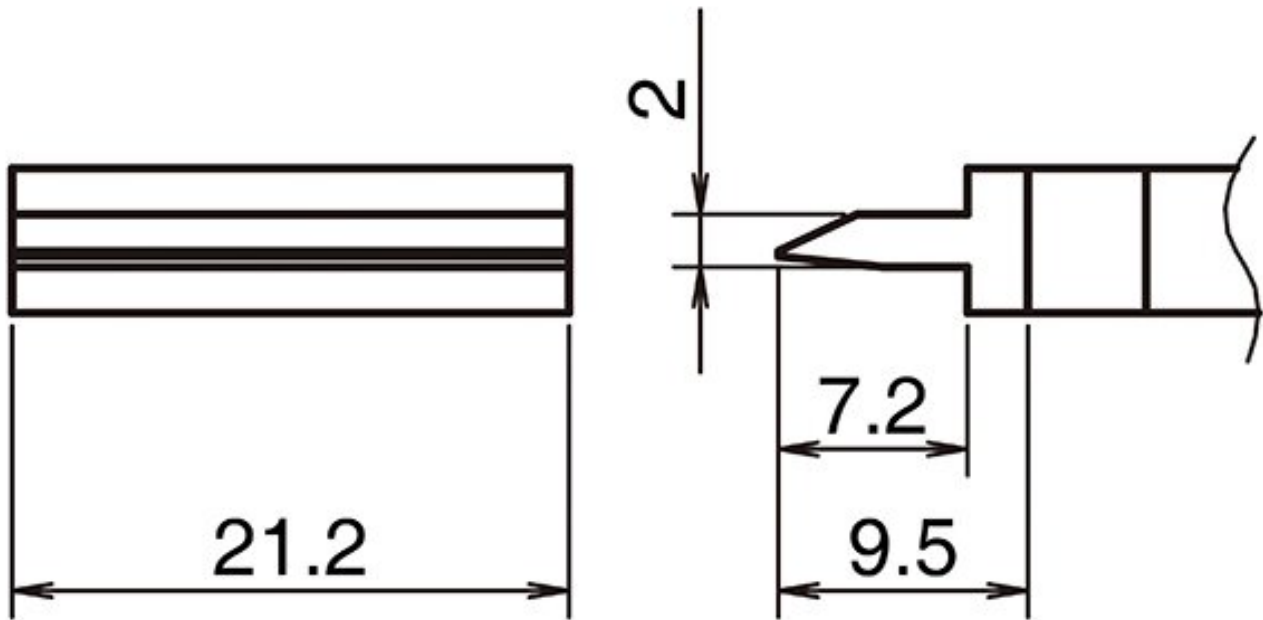


Active soldering tip size 21.2SP - Spatula



- for HAKKO soldering iron FX 9701

| | |
|--------------------------|--|
| Item no. | WL74304 |
| Manufacturer | HAKKO |
| Manufacturer article no. | T39-SP212 |
| GPSR manufacturer data | TBK - Technisches Büro Kullik GmbH Industriestrasse 27 DE-56276 Großmaiseid www.kullik.com/ |
| Length | 9.5 mm |
| Width | 21.2 mm |
| Height | 2 mm |
| Sales unit | 1 piece |
| Content unit | 1 piece |
| Incl. battery | no |
| Tip series | T39 |
| Tip shape | bevelled |
| Tip alignment | sloped |

Products for the electronic industry



| | |
|--------------------|--------|
| Matching handpiece | FX-971 |
| ESD compliant | no |

