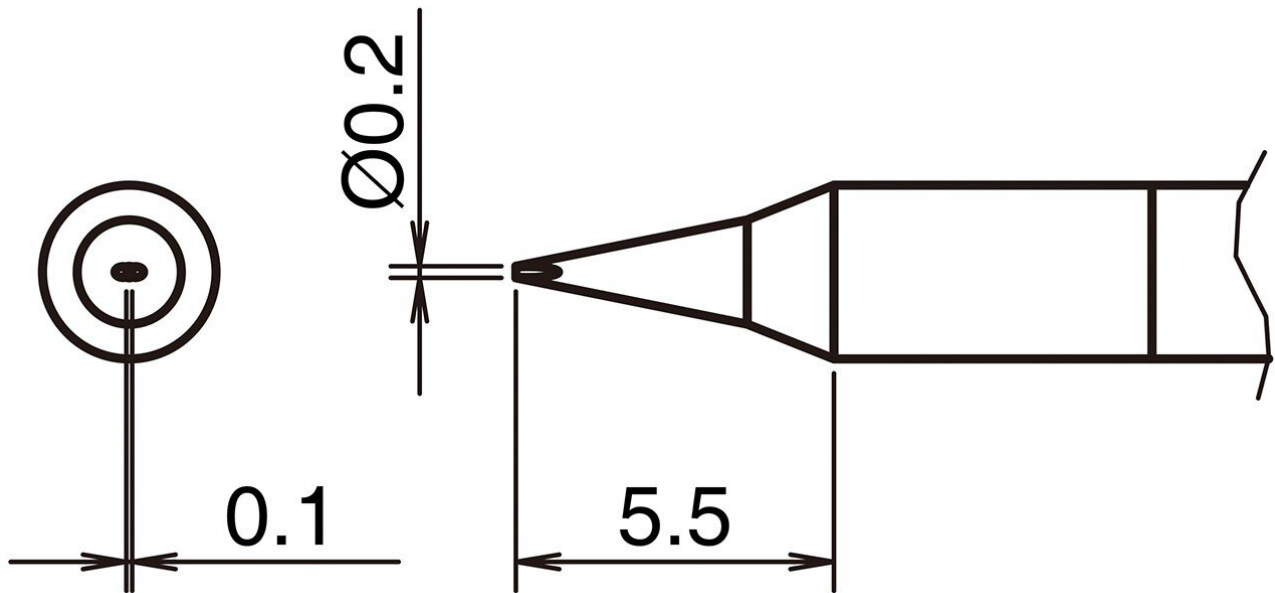


Active soldering tip Format 0.2D



- for HAKKO soldering iron FX 9703 and HAKKO N2 soldering iron FX 9704 (nozzle A - B 5337 and nozzle B - B 5338)

Item no.	WL74303
Manufacturer	HAKKO
Manufacturer article no.	T50-D02
GPSR manufacturer data	TBK - Technisches Büro Kullik GmbH Industriestrasse 27 DE-56276 Großmaiseid www.kullik.com/
Length	5.5 mm
Width	0.1 mm
Height	0.2 mm
Sales unit	1 piece
Content unit	1 piece
Tip series	T50
Tip shape	conical
Tip alignment	straight

Matching handpiece FX-9703

ESD compliant no

