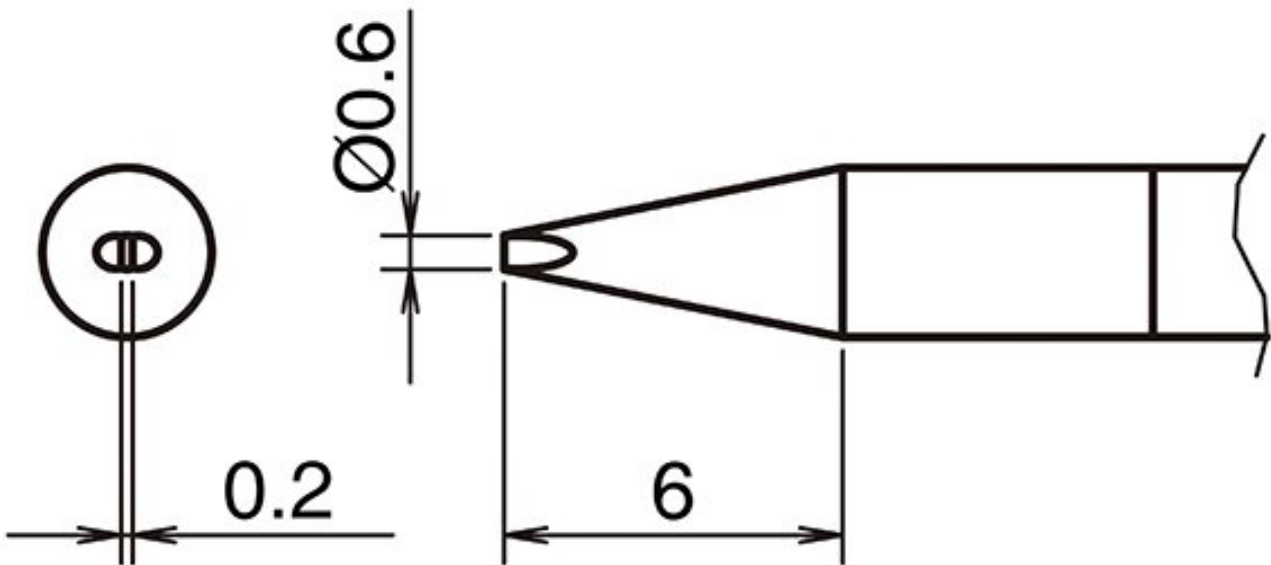


Active soldering tip format 0.6D



- for HAKKO soldering iron FX 9703 and HAKKO N2 soldering iron FX 9704 (nozzle A - B 5337 and nozzle B - B 5338)

Item no.	WL74301
Manufacturer	HAKKO
Manufacturer article no.	T50-D06
GPSR manufacturer data	TBK - Technisches Büro Kullik GmbH Industriestrasse 27 DE-56276 Großmaiseid www.kullik.com/
Length	6 mm
Width	0.2 mm
Height	0.6 mm
Sales unit	1 piece
Content unit	1 piece
Tip series	T50
Tip shape	conical
Tip alignment	straight
Matching handpiece	FX-9703

ESD compliant

no

