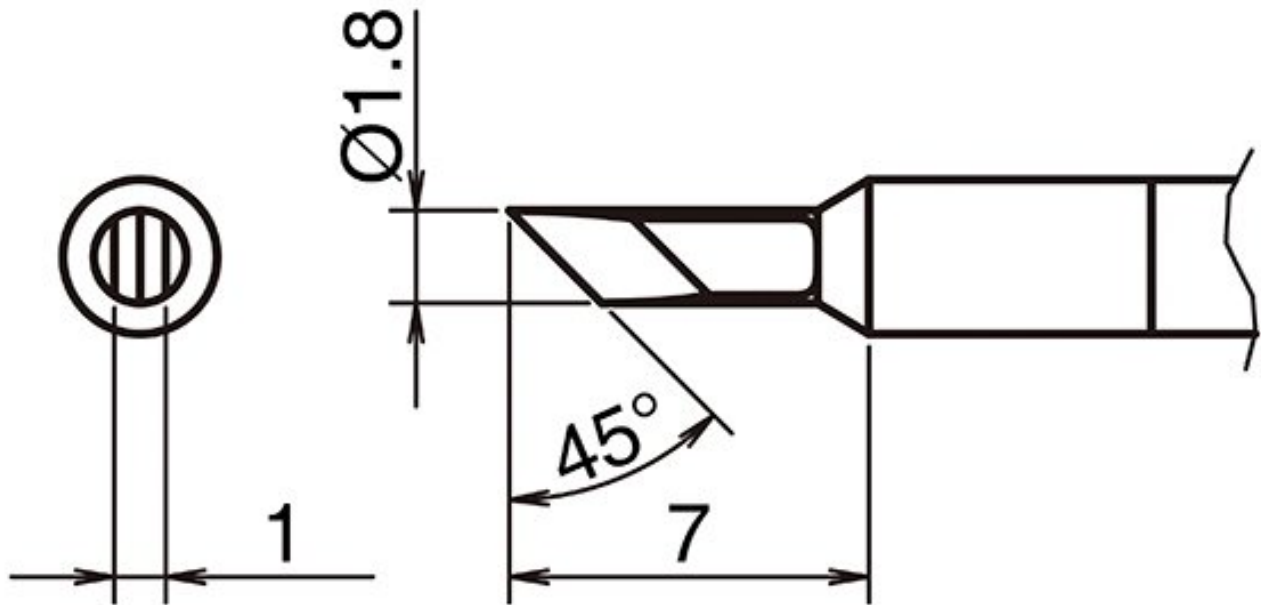


Active soldering tip Format KU



- for HAKKO soldering iron FX 9703 and HAKKO N2 soldering iron FX 9704 (nozzle A - B 5337)

Item no.	WL74296
Manufacturer	HAKKO
Manufacturer article no.	T50-KU
GPSR manufacturer data	TBK - Technisches Büro Kullik GmbH Industriestrasse 27 DE-56276 Großmaiseid www.kullik.com/
Length	7 mm
Width	1 mm
Height	1.8 mm
Sales unit	1 piece
Content unit	1 piece
Incl. battery	no
Tip series	T50
Tip shape	knife-shaped

Products for the electronic industry



Tip alignment	sloped
Matching handpiece	FX-9703
ESD compliant	no

