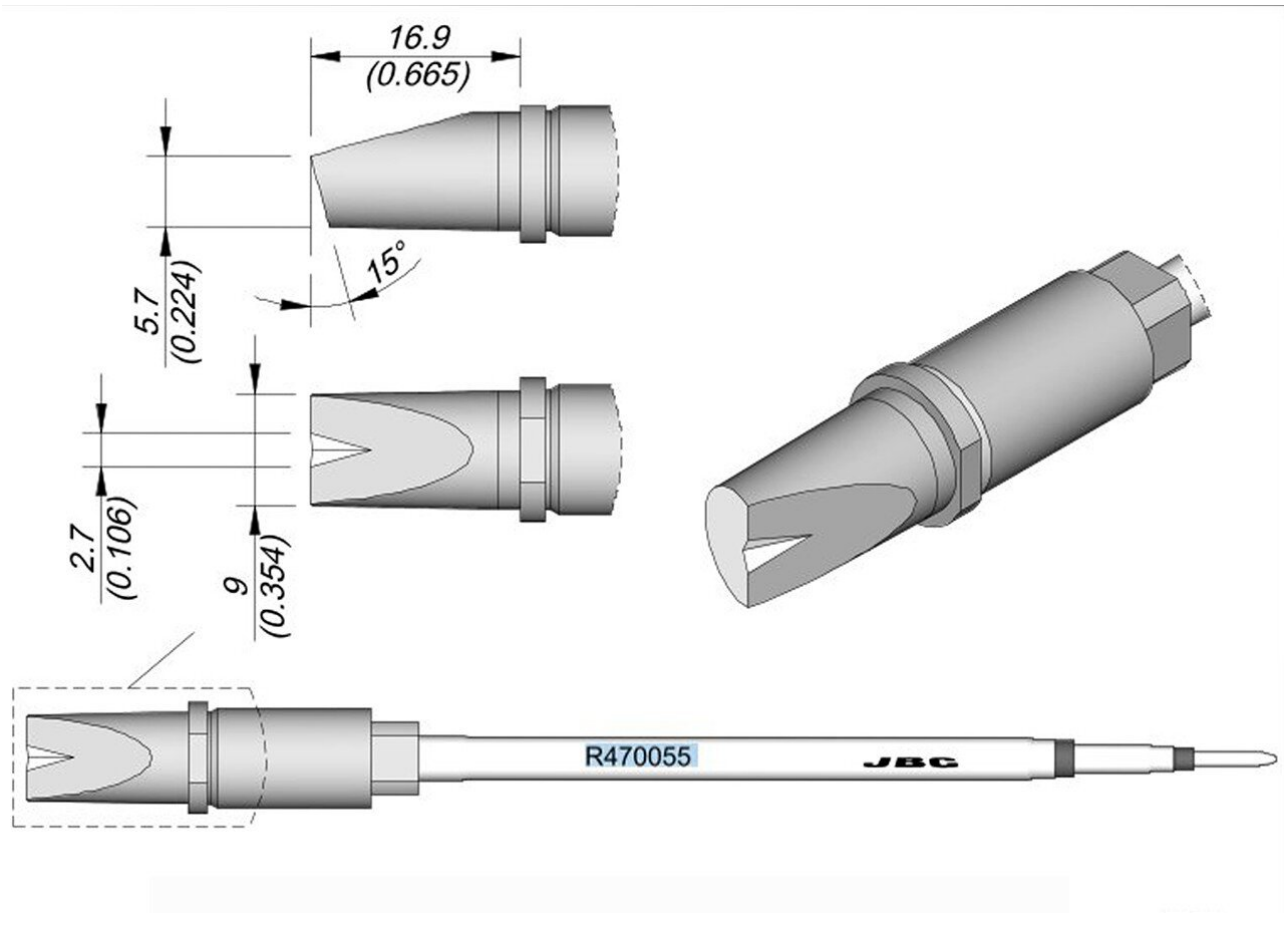


Soldering tip R470, chisel, 9 x 2.7 mm, R470055



Item no.	WL73935
Manufacturer	JBC
Manufacturer article no.	R470055
GPSR manufacturer data	JBC Soldering SL Ramón y Cajal 3 ES-08750 Molins De Rei www.jbctools.com
Sales unit	1 piece
Content unit	1 piece
Incl. battery	no
Tip series	R470
Tip length	16.9 mm
Tip width	9 mm

Products for the electronic industry



Tip thickness	2.7 mm
Tip shape	chisel-shaped
Tip alignment	straight
Matching handpiece	TR470, TRA470
Matching handpiece	TR470,TRA470
ESD compliant	no

