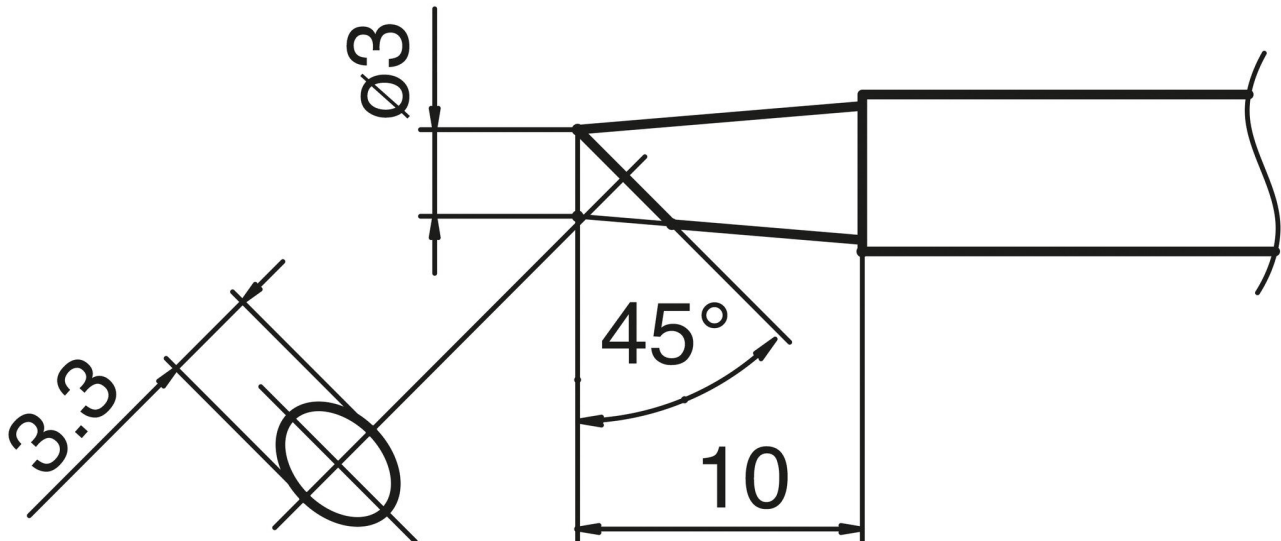


## COMPOSIT soldering tip format 3BC



- for HAKKO N2 soldering iron FM 2026 (nozzle G - B 2900)

Item no.	WL73164
Manufacturer	HAKKO
Manufacturer article no.	T17-BC3
GPSR manufacturer data	TBK - Technisches Büro Kullik GmbH Industriestrasse 27 DE-56276 Großmaischeid www.kullik.com/
Length	220 mm
Width	45 mm
Height	7 mm
Sales unit	1 piece
Content unit	1 piece
Incl. battery	no
Tip series	T17
Tip shape	round
Tip alignment	straight
Matching handpiece	FM-2026
ESD compliant	no

Products for the electronic industry

