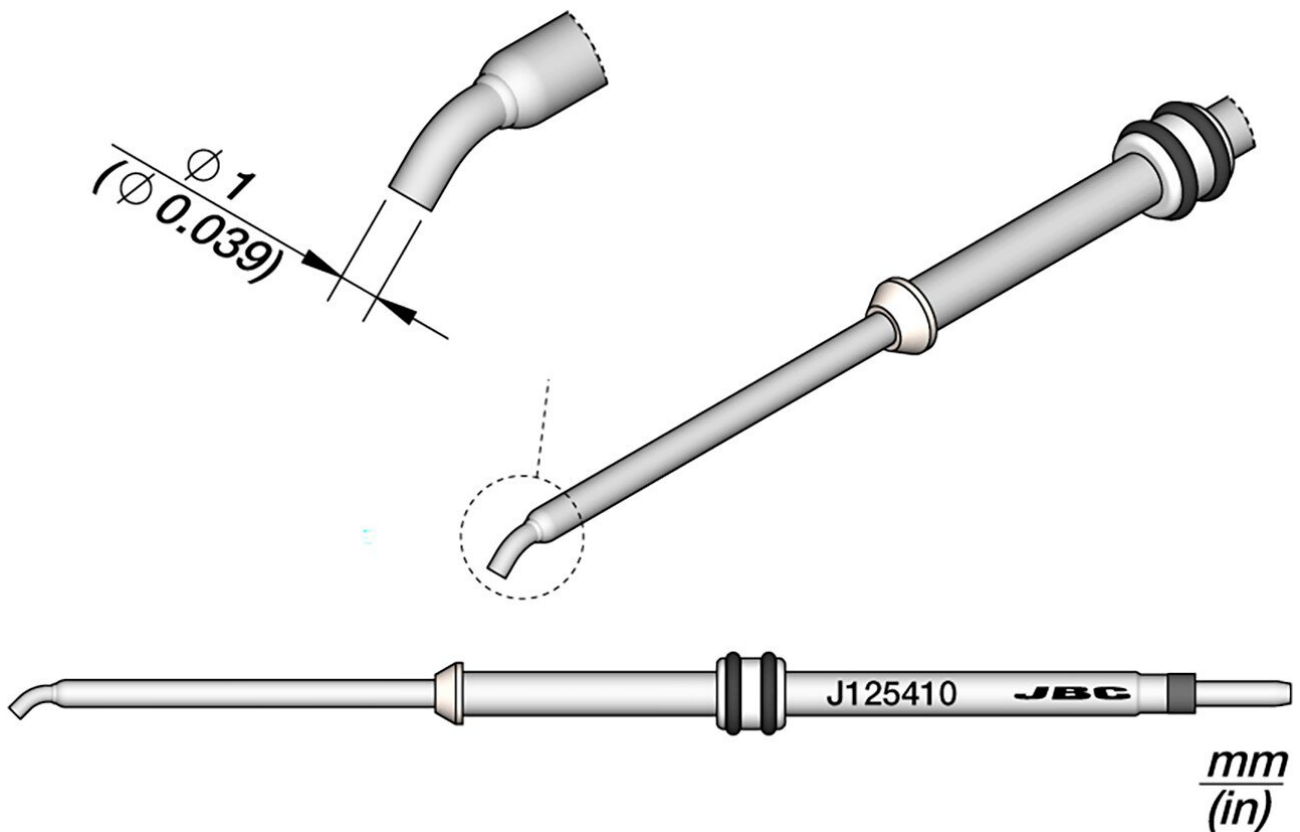


## Hot air nozzle, 45° angled, Ø 1 mm, for JNA hot air station



J125410 Bent Cartridge is perfect to rework the smallest SMD components from 01005 up to SOIC-8 even under the magnifying glass.

It works with JNA High-Precision Hot Air Station which allows regulation of both flow and temperature at very low levels.

J125410 has an outlet diameter of 1 mm (0.039 in).

0029216 Stand Adaptor is supplied with the cartridge to protect the bent tip when inserting it into the tool.

Item no.	WL71090
Model	J125410
Manufacturer	JBC
Manufacturer article no.	J125410

Products for the electronic industry



## GPSR manufacturer data

JBC Soldering SL  
Ramón y Cajal 3  
ES-08750 Molins De Rei  
www.jbctools.com

Length with packaging	130 mm
Width with packaging	45 mm
Height with packaging	7 mm
Sales unit	1 piece
Content unit	1 piece
Incl. battery	no
ESD compliant	no

