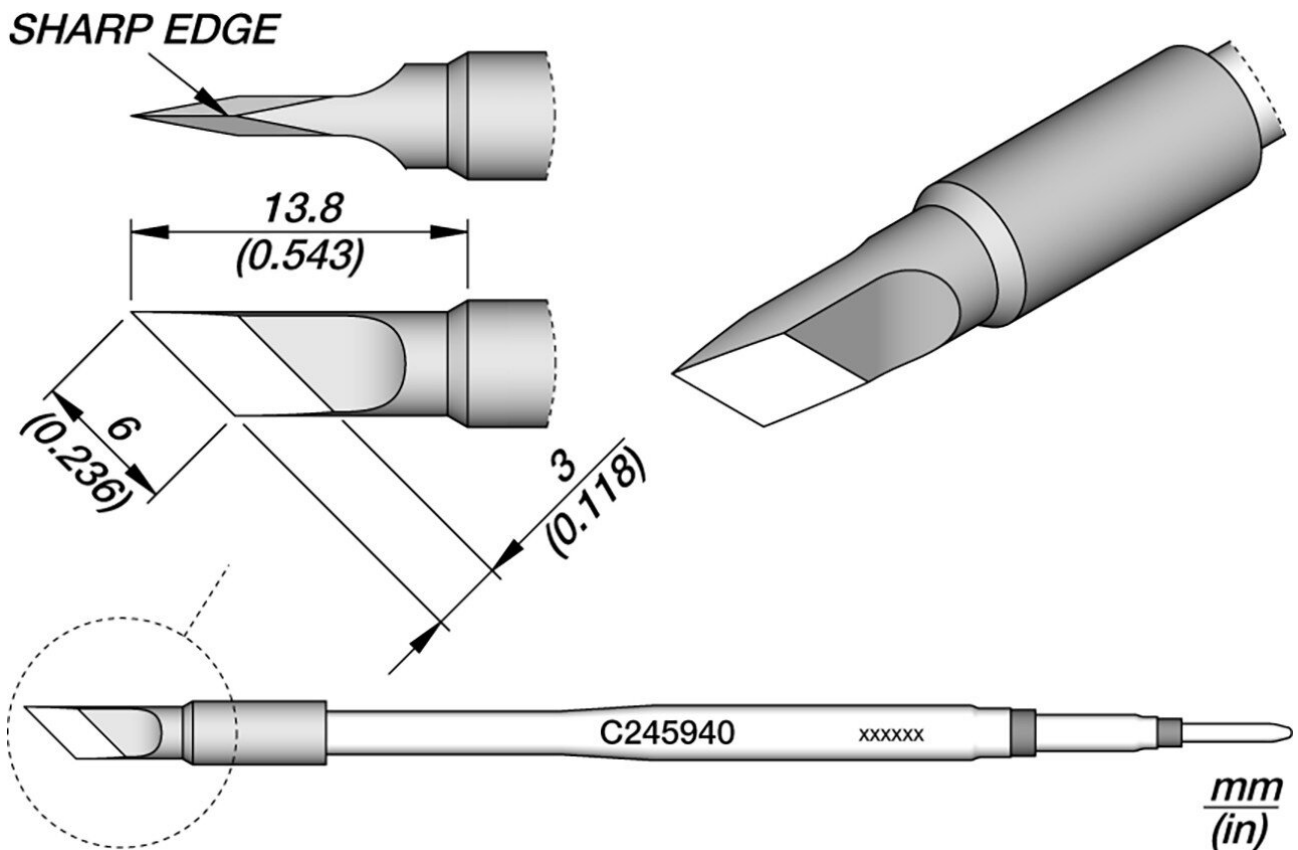


## Soldering tip knife, 6 x 0,1 mm, C245940



C245 cartridge range is the widest one of JBC with many shapes, sizes and special models.

They are appropriate for general soldering purposes and they are perfect for both SMD components or for applications with high power requirements such as ground plane soldering.

They work with T245 Handle.

JBC Long Life Tips offer instant heat up, excellent heat transfer and great durability.

They last 5 times longer than other brands thanks to the JBC Most Efficient Soldering System and the Sleep & Hibernation features.

Item no.

WL70207

Products for the electronic industry



Manufacturer	JBC
Manufacturer article no.	C245940
GPSR manufacturer data	JBC Soldering SL Ramón y Cajal 3 ES-08750 Molins De Rei www.jbctools.com
Length with packaging	110 mm
Width with packaging	12 mm
Height with packaging	12 mm
Sales unit	1 piece
Content unit	1 piece
Incl. battery	no
Product series	C245
Tip series	C245
Tip shape	knife-shaped
Tip alignment	straight
Matching handpiece	T245
ESD compliant	no