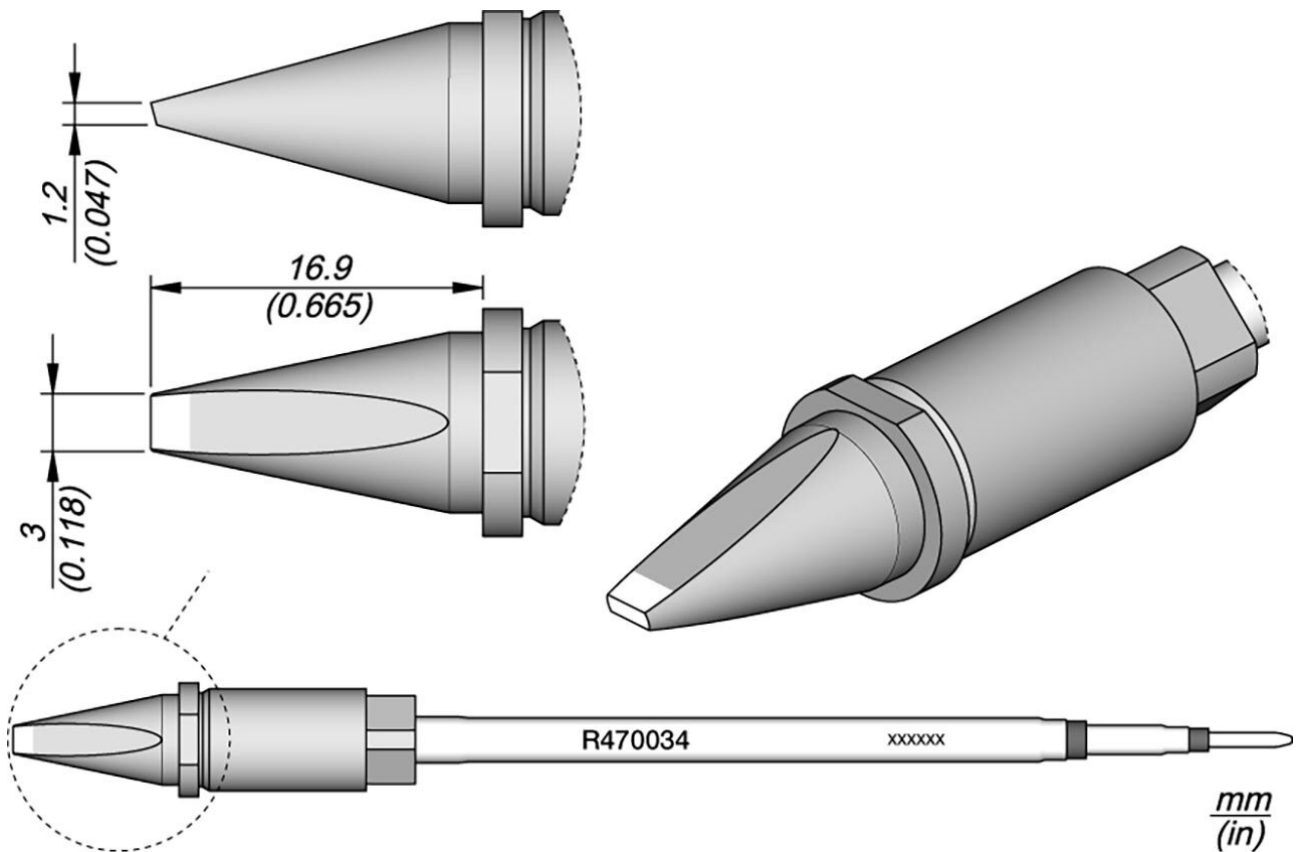


## Soldering tip R470, chisel, 3 x 1.2 mm, R470034



- for automated soldering processes
- square cross-section, which perfectly centres the soldering tip in the soldering iron and ensures precise vertical positioning
- the soldering tip can be inserted in 4 different positions, which can be changed in 90° steps

item number	WL69871
model	R470034
manufacturer	JBC
manufacturer item number	R470034
order unit	1 piece
content unit	1 piece
product series	R470
suitable stand	CS2R470

Products for the electronic industry



soldering tip or desoldering tip	soldering tip
Tip series	R470
soldering tip shape	chisel shaped
tip dimensions	3 x 1,2 mm
tip length	16.9 mm
tip width	3 mm
tip thickness	1.2 mm
tip application	General use
tip shape	chisel-shaped
tip alignment	straight
suitable soldering iron	TR470, TRA470
suitable handpiece	TR470, TRA470
suitable handle	TR470, TRA470