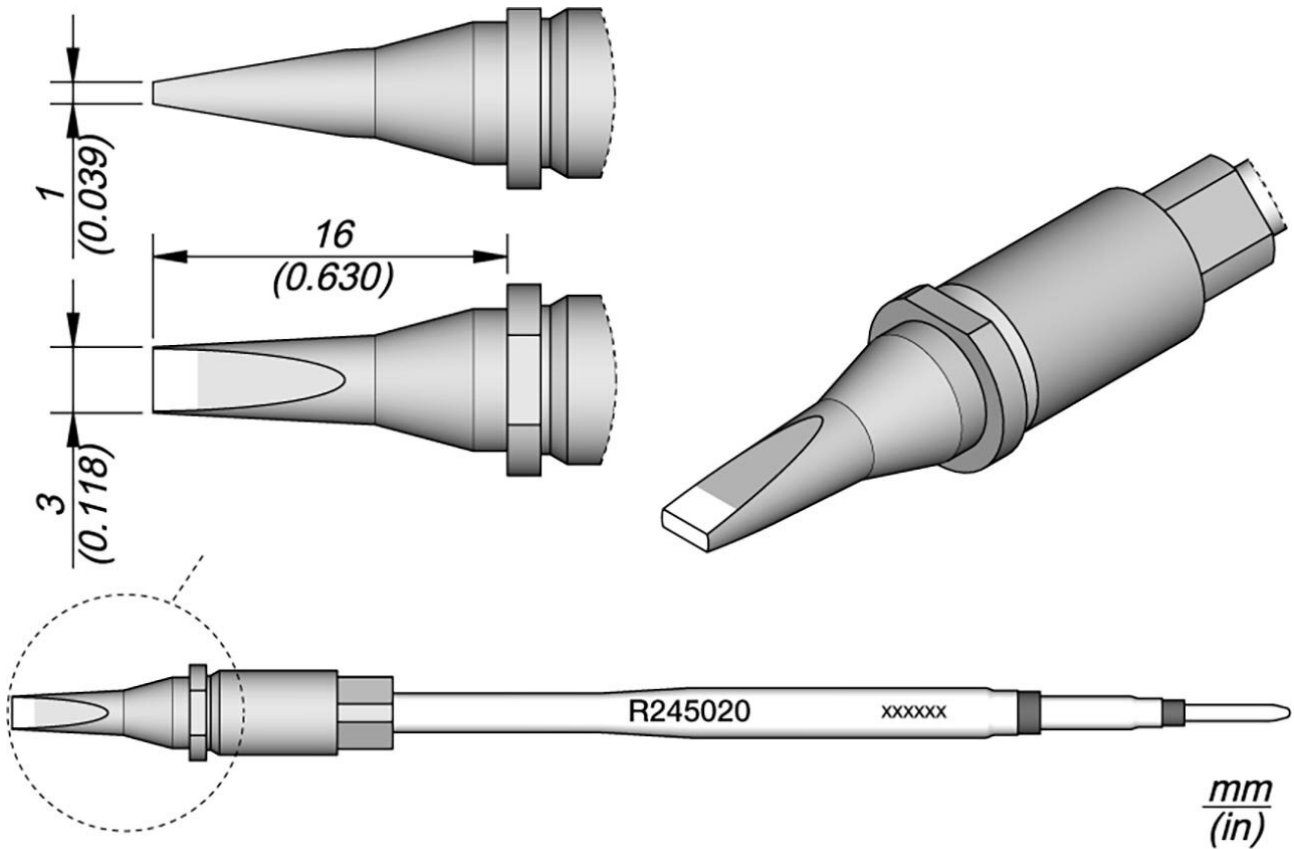


Soldering tip R245, chisel, 3 x 1mm, R245020



Item no.	WL69813
Model	R245020
Manufacturer	JBC
Manufacturer article no.	R245020
GPSR manufacturer data	JBC Soldering SL Ramón y Cajal 3 ES-08750 Molins De Rei www.jbctools.com
Sales unit	1 piece
Content unit	1 piece
Incl. battery	no
Product series	R245
Matching stand	CS2R245
Soldering tip or desoldering tip	soldering tip

Tip series	R245
Compatible soldering unit	HA245
Shape of soldering tip	chisel shaped
Tip dimensions	3 x 1 mm
Tip length	16 mm
Tip width	3 mm
Tip thickness	1 mm
Tip applications	General use
Tip shape	chisel-shaped
Tip alignment	straight
Suitable soldering iron	TR245, TRA245
Matching handpiece	TR245, TRA245
Matching handpiece	TR245, TRA245
ESD compliant	no