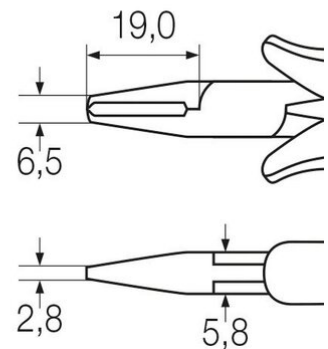


## End cutting nippers Professional ESD narrow head, small bevelled edge (26839) 110 mm



- Meets your requirements: For virtually flush cutting of soft copper wires
- Lowers your costs: Electrostatically conductive tools protect electronic components from damage
- Protect your health: Reduces strain from continuous work thanks to opening spring
- Standards: DIN ISO 9654.IEC 61340-5-1
- Application: The cutting edge with a minimal external bevel allows virtually flush cutting of soft copper wires

item number	<b>WL69678</b>
Alternative item description	Z47111004
manufacturer	WIHA
manufacturer item number	26839
order unit	1 piece
content unit	1 piece
type of packaging	single pack
standards	DIN ISO 9654, IEC 61340-5-1
product series	Z 47 1 04
ESD safe	yes
packaging mass	piece
tool length	110 mm

Products for the electronic industry



type of side cutter

end cutter

## Other versions

item number

type of packaging

WL69678

single pack

WL69679

blister packaging

