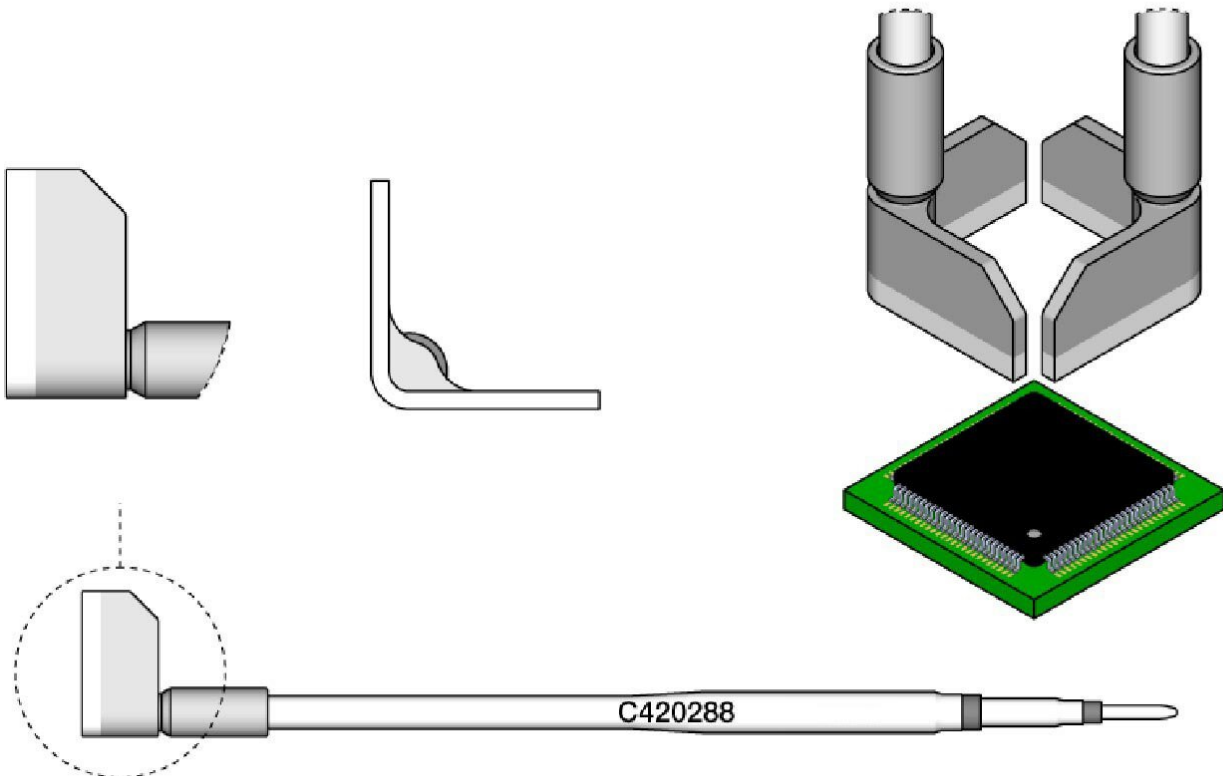


Desoldering tip QFP 14,5 for desoldering tweezers HT420 and AT420



- These cartridges are specially designed for desoldering QFP and PLCC.
- C420 cartridges are suitable for soldering and desoldering SMD components and shorten the processing time.
- This range works with thermal tweezers which allows the cartridges to be aligned to the user's needs.
- JBC Long Life Tips offer instant heating, excellent heat transfer and long life.
- Thanks to the JBC Most Efficient Soldering System and Sleep & Hibernation features, they last 5 times longer than other brands.
- Tips are sold individually

Item no. **WL68477**

Manufacturer **JBC**

Products for the electronic industry



Manufacturer article no.	C420288
GPSR manufacturer data	JBC Soldering SL Ramón y Cajal 3 ES-08750 Molins De Rei www.jbctools.com
Sales unit	1 piece
Content unit	1 piece
Tip series	C420
Tip shape	special form
Tip alignment	straight
Matching handpiece	AT420, HT420
Matching handpiece	at420, ht420
ESD compliant	no

