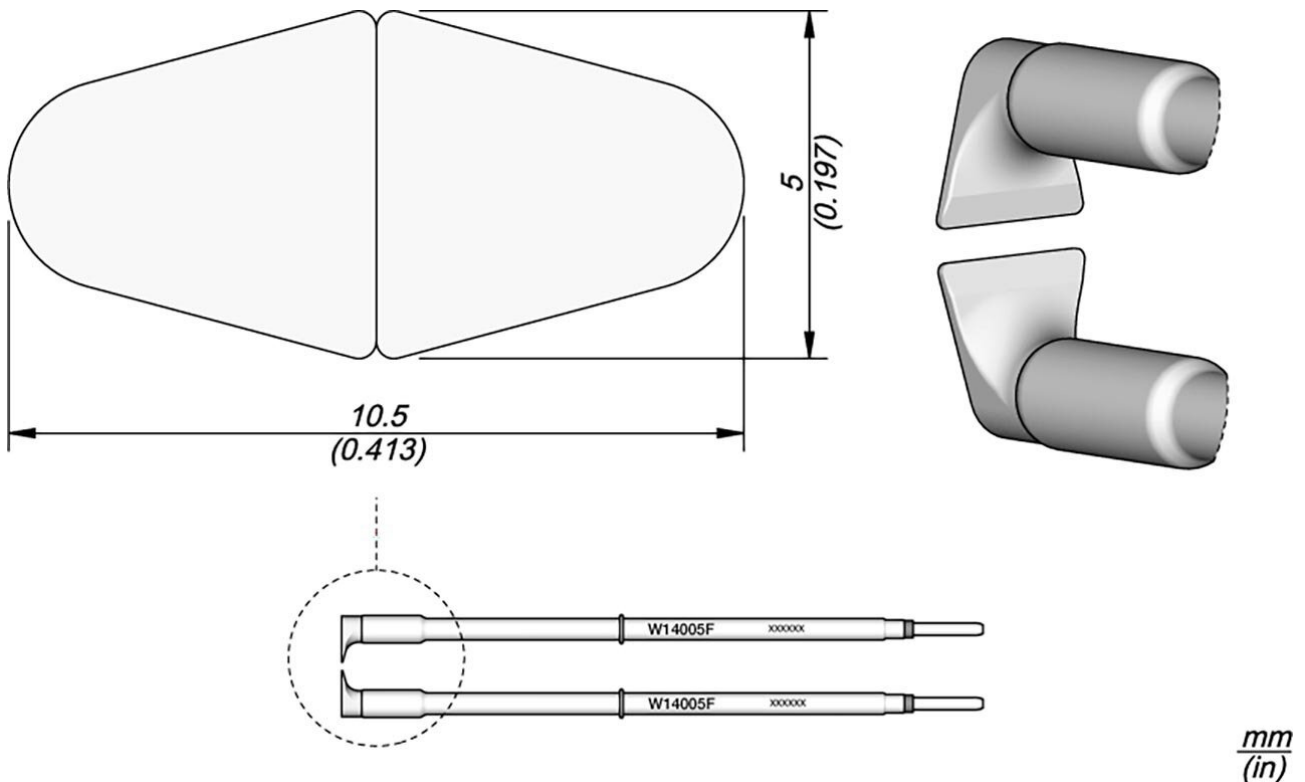


## Soldering tip W14005F for WS140 desoldering tweezers, flat 5 mm



The W14005F is specially designed for stripping high temperature insulation made of thermostable materials such as Teflon\*, Kapton\*, silicone rubber etc. with a flat tip of 5 mm / 0.197 in.

This tip works with the WS140 Precision High Temperature Stripping Tweezers, which has an adjustable stripping length to select the stripping length.

Item no.	<b>WL63478</b>
Manufacturer	JBC
Manufacturer article no.	W14005F
GPSR manufacturer data	JBC Soldering SL Ramón y Cajal 3 ES-08750 Molins De Rei www.jbctools.com
Scope of delivery	Both soldering tips are included
Sales unit	1 piece

Products for the electronic industry



Content unit	1 piece
Incl. battery	no
Tip series	W140
Tip shape	special form
Tip alignment	straight
Matching handpiece	WS140
Matching handpiece	WS140
ESD compliant	no