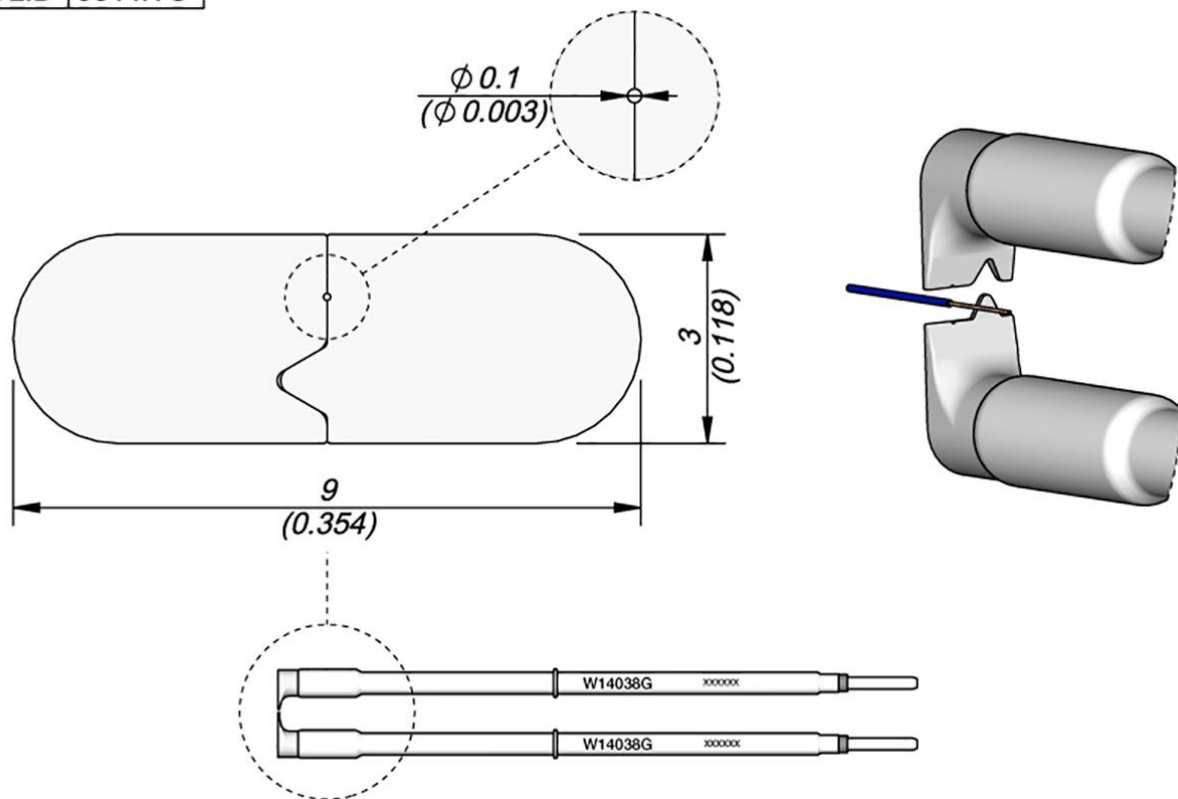


## W14038G soldering tip for WS140 desoldering tweezers, 38G 3 mm

SOLID	38 AWG
-------	--------



mm  
(in)

The W14038G is specially designed for stripping high temperature wires made of thermostable materials such as Teflon\*, Kapton\*, silicone rubber, etc. with a diameter of 38 AWG (0.10 mm / 0.0039 in).

The self-centering design provides perfect tip alignment so that the insulation can be removed without damaging the conductors.

This tip works with the WS140 Precision High Temperature Stripping Tweezers, which has an adjustable stripping length to select the stripping length.

Item no.	WL63475
Manufacturer	JBC
Manufacturer article no.	W14038G
GPSR manufacturer data	JBC Soldering SL Ramón y Cajal 3

Products for the electronic industry



	ES-08750 Molins De Rei www.jbctools.com
Scope of delivery	Both soldering tips are included
Sales unit	1 piece
Content unit	1 piece
Incl. battery	no
Tip series	W140
Tip shape	special form
Tip alignment	straight
Matching handpiece	WS140
Matching handpiece	WS140
ESD compliant	no