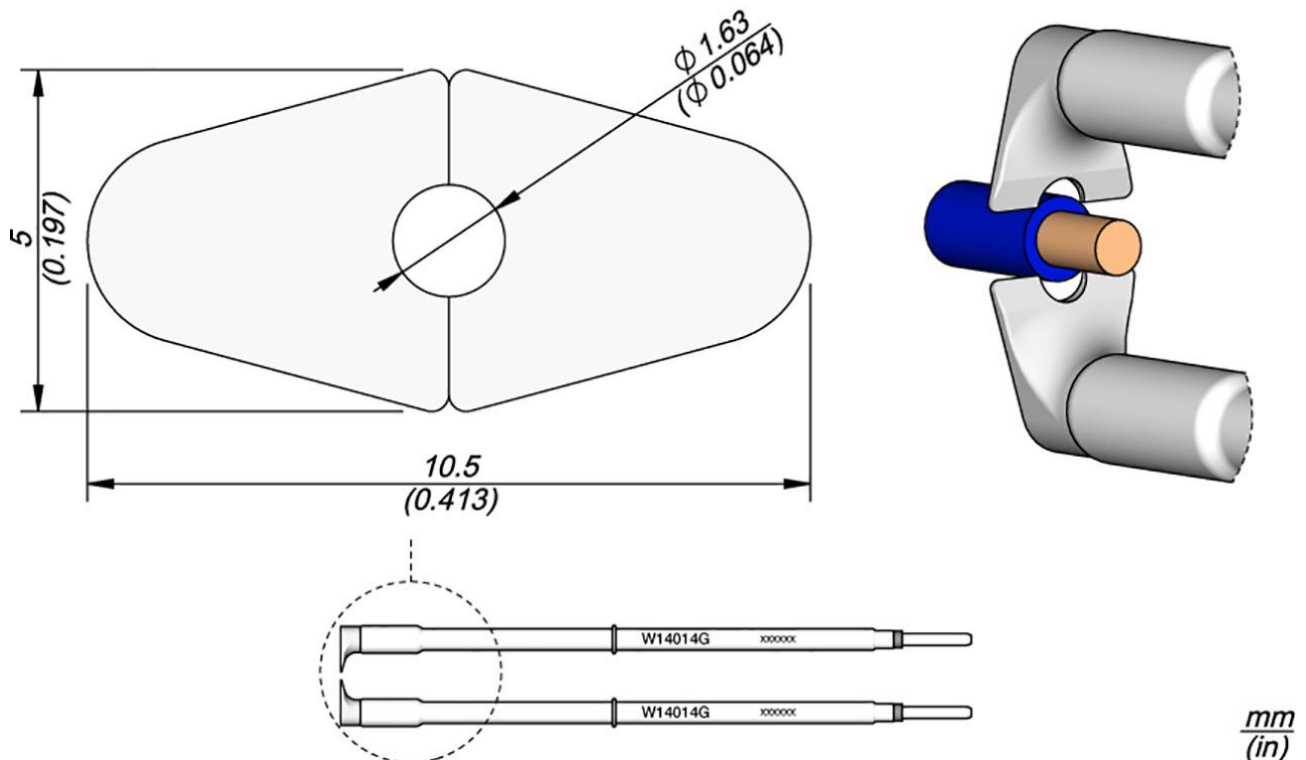


Soldering tip W14014G for WS140 desoldering tweezers, 14 G 5 mm

STRANDED	16 (7 x 24) AWG
SOLID	14 AWG



The W14014G is specially designed for stripping high temperature cables made of thermostable materials such as Teflon*, Kapton*, silicone rubber etc. with a cross section of 14 AWG (1.63 mm / 0.0642 in).

This tip works with the WS140 Precision High Temperature Stripping Tweezers, which has an adjustable stripping length to select the stripping length.

Item no.	WL63462
Manufacturer	JBC
Manufacturer article no.	W14014G
GPSR manufacturer data	JBC Soldering SL Ramón y Cajal 3 ES-08750 Molins De Rei www.jbctools.com

Products for the electronic industry



Scope of delivery	Both soldering tips are included
Sales unit	1 piece
Content unit	1 piece
Incl. battery	no
Tip series	W140
Tip shape	special form
Tip alignment	straight
Matching handpiece	WS140
Matching handpiece	WS140
ESD compliant	no