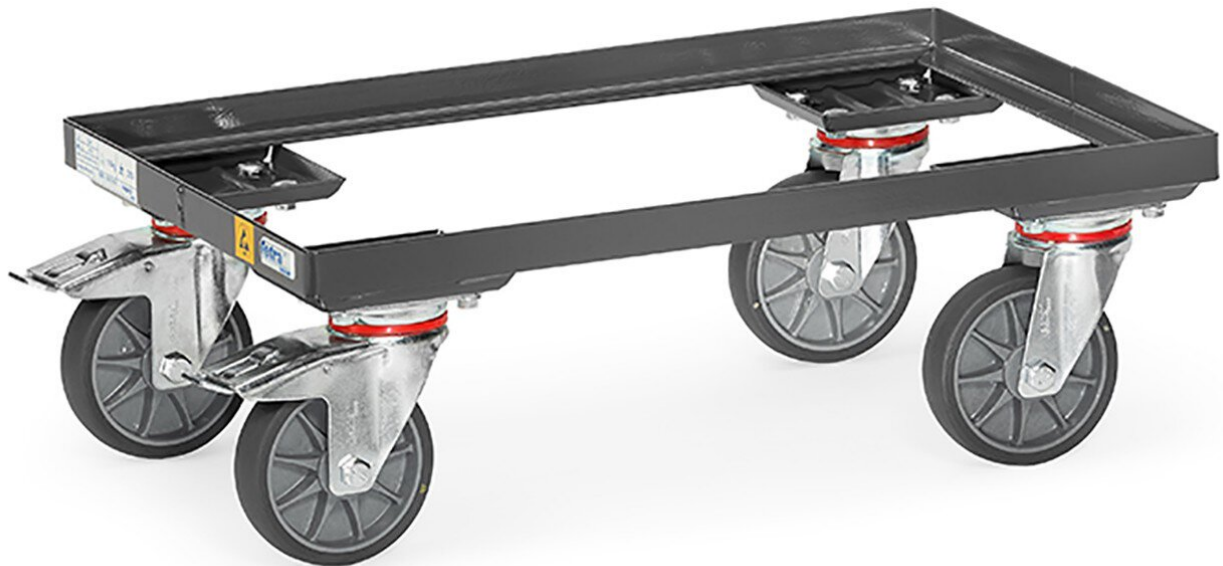


ESD eurobox dolly, load capacity 250kg, open frame, 605x405mm



Electrically conductive design (ESD = Electrostatic Discharge). Tubular steel and sectional steel welded, electrically conductive, powder coated slate grey RAL 7015. Shelves made of electrically conductive derived timber material board to DIN 68765, light grey. TPE-ESD tyres (thermoplastic elastomer) electrically conductive. Hubs with precision deep groove ball bearings. 4 swivel castors. 2 with wheel stops, in accordance with EN 1757-3 (safety of platform trucks). Open angle steel construction. Suitable for Euro crates 600 x 400 mm.

| | |
|--------------------------|---|
| Item no. | WL60149 |
| Manufacturer | FETRA |
| Manufacturer article no. | 93580 |
| GPSR manufacturer data | fetra Fechtel Transportgeräte GmbH Industriestraße 17-21 DE-33829 Bogenhausen www.fetra.de |
| Length | 610 mm |
| Width | 415 mm |
| Height | 209 mm |
| Sales unit | 1 piece |

Products for the electronic industry



| | |
|---------------------------------|-------------------|
| Content unit | 1 piece |
| Manufacturer colour information | slate grey |
| Colour | anthracite, grey |
| Material (frame) | Tubular steel |
| Type of transport device | transport trolley |
| Load capacity | 250 kg |
| Number of swivel castors | 4 |
| Tires | TPE |
| Tire diameter | 125 mm |
| Bearing (tires) | ball bearing |
| Tire thickness | 32 mm |
| Length of the loading area | 605 mm |
| Width of the loading area | 405 mm |
| Loading height | 182 mm |
| ESD compliant | yes |